

QUANTUM

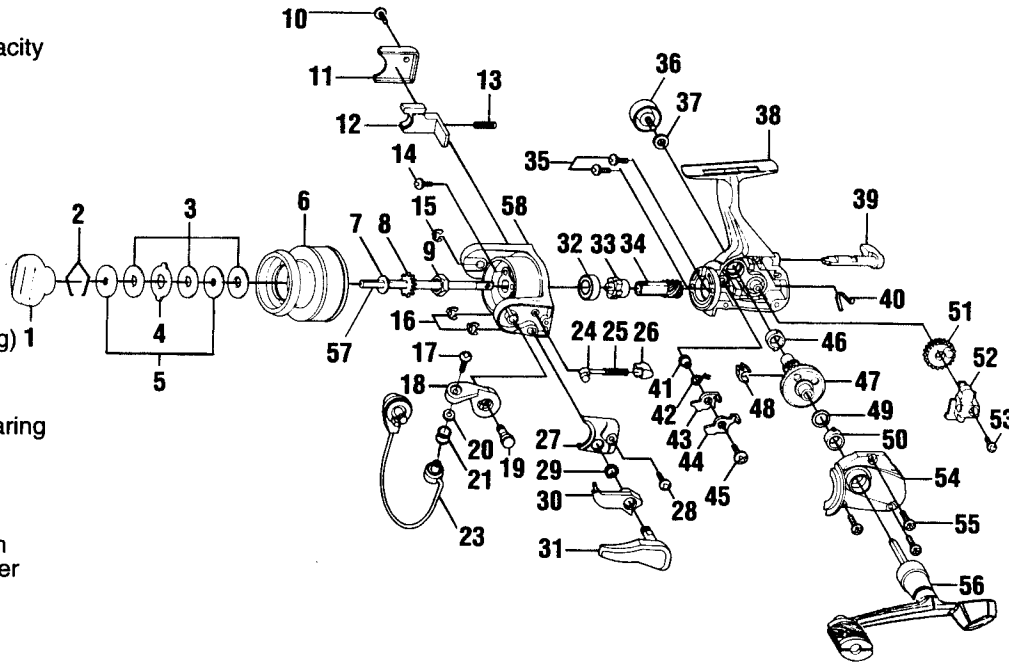
SX1 SX1A (made in Bangladesh)

SPECIFICATIONS:

- Ultra Light
- 125 yds./4 lb. Line Capacity
- Front Drag
- 4.4:1 Ratio
- 7.6 oz. Weight
- 4 Ball Bearings

FEATURES:

- Light Weight Graphite Construction
- Three-Way Silent (On/Off/Self-Centering) 1 Anti-Reverse
- Internal Bail Trip
- Twist Reducing Ball Bearing Line Roller
- Pop-Off Spool
- Snapshot Trigger
- Color: **SX1** - Dark Green
SX1A - Light Silver



Key No.	Part No.	Description	Price	Key No.	Part No.	Description	Price
1	GU332-01	Drag Knob Assembly (SX1)	2.88	31	GU115-01	Trigger Assembly (SX1)	3.61
1	GU332-10	Drag Knob Assembly (SX1A)	2.88	31	GU115-07	Trigger Assembly (SX1A)	3.61
2	GU038-01	Drag Retainer	.66	32	AQ028-01	Bail Bearing	6.75
3	GU105-05	Drag Disc	.67	33	GU060-01	Ratchet Gear	2.06
4	GU081-01	Drag Key Washer	.52	34	GU011-01	Pinion Gear	1.65
5	GU080-01	Drag Washer	.52	35	GU077-01	Bearing Screw	.15
6	XU321-03	Spool Assembly (SX1)	5.15	36	GU073-01	Handle Screw Cap (SX1)	.62
6	XU321-15	Spool Assembly (SX1A)	5.15	36	GU073-09	Handle Screw Cap (SX1A)	.62
7	GU105-06	Spool Adjustment Washer	.36	37	GU105-01	Handle Cap Washer	.10
8	GU037-01	Click Gear	.52	38	GU001-11	Body (SX1)	3.09
9	GU006-01	Rotor Nut	.31	38	GU001-34	Body (SX1A)	3.09
10	GU077-02	Kick Lever Cover Screw	.15	39	GU090-01	Anti-Reverse Stopper Lever (SX1)	1.49
11	GU046-01	Kick Lever Cover (SX1)	.21	39	GU090-05	Anti-Reverse Stopper Lever (SX1A)	1.49
11	GU046-07	Kick Lever Cover (SX1A)	.21	40	GU089-01	Anti-Reverse Lever Spring	.52
12	GU019-01	Kick Lever	.41	41	GU091-01	Anti-Reverse Pawl Post	.26
13	KQ049-01	Kick Lever Spring	.26	42	GU061-01	Anti-Reverse Pawl Spring	.36
14	GU077-08	Rotor Nut Lock Screw	.15	43	GU063-01	Anti-Reverse Pawl 'A'	.46
15	KQ034-01	E-Clip	.15	44	GU074-01	Anti-Reverse Pawl 'B'	.46
16	KQ034-01	E-Clip	.15	45	GU077-05	Anti-Reverse Pawl Screw	.15
17	KQ108-01	Line Slider Screw	.31	46	GU157-01	Gear Shaft Bearing	6.75
18	XU007-01	Arm Lever	1.44	47	GU012-01	Drive Gear	2.88
19	GU051-06	Arm Lever Pin	1.03	48	GU086-01	Silent Cam	.41
20	EQ017-01	Bail Collar	.68	49	GU105-08	Drive Gear Adj. Washer	.15
21	EQ004-02	Line Roller Bearing	6.70	50	GU157-01	Body Cover Bearing	6.76
23	GU347-16	Bail Assembly (SX1)	5.57	51	GU053-01	Oscillator Gear	.88
23	GU347-35	Bail Assembly (SX1A)	5.57	52	GU025-01	Oscillator Slider	.88
24	KQ031-01	Arm Lever Spring Pin	.26	53	GU100-01	Main Shaft Screw	.15
25	KQ049-03	Arm Lever Spring	.31	54	GU023-11	Body Cover (SX1)	1.70
26	QL020-01	Arm Lever Spring Holder	.31	54	GU023-34	Body Cover (SX1A)	1.70
27	GU087-01	Arm Lever Spring Cover (SX1)	.21	55	GU057-01	Body Cover Screw	.15
27	GU087-04	Arm Lever Spring Cover (SX1A)	.21	56	GU318-01	Handle Assembly (SX1)	6.58
28	GU077-02	Arm Lever Cover Screw	.15	56	GU318-52	Handle Assembly (SX1A)	6.58
29	NL096-01	Trigger Spring	.82	57	GU015-01	Main Shaft	1.85
30	GU097-01	Trigger Link Assembly (SX1)	1.70	58	GU009-08	Rotor (SX1)	2.68
30	GU097-05	Trigger Link Assembly (SX1A)	1.70	58	GU009-21	Rotor (SX1A)	2.68

MODEL INTRODUCED	SX1 - 1994 SX1A - 1997	EFFECTIVE DATE OF PARTS LIST/DIAGRAM	April 1997	DISCONTINUED	SX1 - June '97 SX1A - N/A
-------------------------	---	---	------------	---------------------	--

Prices subject to change without notice. Prices do not include postage and handling.

PLEASE ORDER BY PART NUMBER Zebco Division Brunswick Corporation, Box 270, Tulsa, OK 74101 USA 918-831-6965

