

# QUANTUM

## SX2B / SX3B / SX4B

### SPECIFICATIONS :

Application:

- SX2B - Lt. FW
- SX3B - Med. FW
- SX4B - Hvy FW

5.2:1 Gear Ratio

Line Capacity:

- SX2B - 140 yds / 6 lb
- SX3B - 160 yds / 8 lb
- SX4B - 180 yds / 10 lb

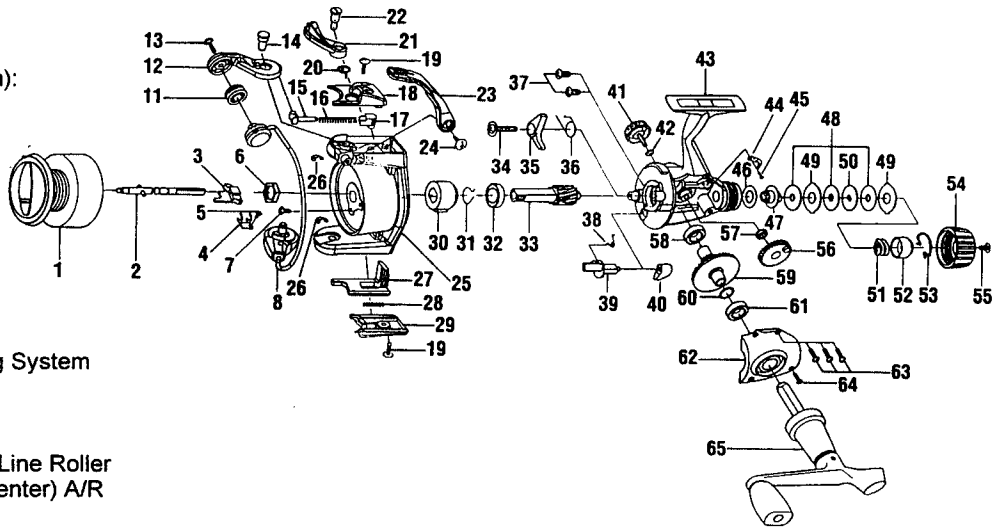
Retrieve Rate (Inches Per Turn):

- SX2B - 24.5"
- SX3B - 30.2"
- SX4B - 34.1"

Weight:

- SX2B - 9.9 oz.
- SX3B - 12.4 oz.
- SX4B - 13.8 oz.

4 Ball Bearings



### FEATURES :

- Snapshot II (Firing Pin) Casting System
- Front Drag
- Tru-Balanced Rotor
- Balanced Handle
- Oversized Twist Reducer B.B. Line Roller
- Selective On/Off (1Stop-Self Center) A/R
- Geared (S-Curve) O/S System
- Aluminum Spool
- Spare Graphite Spool
- Color:

Key No.	SX2B	Part No. SX3B	SX4B	Description	Price	Key No.	SX2B	Part No. SX3B	SX4B	Description	Price
1	SH321-03	TH321-04	UH321-03	Spool Assy.		35	SH063-01	TH063-01	←	Stopper	
2	SH315-01	TH315-01	UH315-01	Main Shaft		36	TH061-01	←	←	Stopper Spring	
3	SH025-01	TH025-01	←	Oscillator Slider		37	TH041-01	←	←	Bearing Screw	
4	SH078-01	TH078-01	←	O/S Slide Retainer		38	TH089-01	←	←	Stopper Cam Spring	
5	TH100-01	←	←	Main Shaft Screw		39	TH090-01	←	←	Stopper Cam	
6	GU006-01	RU006-01	←	Rotor Nut		40	TH059-01	←	←	Stopper Lever	
7	GU077-08	←	←	Rotor Nut Lck. Scrw.		41	TH073-01	←	←	Handle Cap Screw	
8	SH347-03	TH347-04	UH347-03	Bail Assy.		42	TH105-01	←	←	Handle Cap Washer	
11	BH004-14	←	←	Line Roller B.B.		43	SH001-03	TH001-04	TH001-09	Body Assy.	
12	TH007-04	←	←	Arm Lever		44	TH103-01	←	←	Spool Clicker	
13	AQ108-01	←	←	Bail Screw		45	TH146-01	←	←	Spool Clicker Screw	
14	TH051-01	←	←	Arm Lever Pin		46	SH039-01	TH039-01	←	Drag Friction Washer	
15	KQ031-01	←	←	Bail Spring Shaft		47	SH075-01	TH075-01	←	Drag Click Gear	
16	KQ049-05	←	←	Bail Spring		48	SH033-01	TH033-01	←	Drag Washer "B"	
17	QL020-01	←	←	Bail Spring Holder		49	SH081-01	TH081-01	←	Drag Washer "A"	
18	SH087-03	TH087-04	←	Bail Spring Cover		50	SH080-01	TH080-01	←	Drag Washer "D"	
19	GU077-03	GU077-03	←	Cover Screw		51	SH043-01	TH043-01	←	Drag Spring	
20	NL096-01	←	←	Trigger Spring		52	SH066-01	TH066-01	←	Drag Nut	
21	TH398-01	←	←	Trigger Link Assy.		53	SH083-01	TH083-01	←	Drag Retainer	
22	TH113-01	←	←	Trigger Link Screw		54	SH032-01	TH032-01	←	Drag Knob Assy.	
23	TH112-01	←	←	Trigger		55	TH101-01	←	←	Drag Knob Screw	
24	GU077-05	←	←	Trigger Screw		56	WH053-01	XH053-01	←	Oscillator Gear	
25	SH009-03	TH009-04	UH009-03	Rotor		57	XH158-01	←	←	O/S Gear Bushing	
26	GH034-01	←	←	E-Clip		58	BH027-01	AQ028-03	←	Body Ball Bearing	
27	SH019-01	TH019-01	UH019-01	Kick Lever		59	SH012-01	TH012-01	←	Drive Gear	
28	TH049-01	←	←	Kick Lever Spring		60	GU105-08	GU105-13	←	Drive Gear Adj. Wshr.	
29	SH024-03	TH024-04	←	Kick Lever Cover		61	BH027-01	AQ028-03	←	Body Cover B.B.	
30	SH060-01	TH060-01	←	Ratchet		62	SH023-03	TH023-04	TH023-11	Body Cover	
31	SH119-01	TH119-01	←	Slider Spring "A"		63	JU057-03	←	←	Body Cover Screw	
32	RH028-01	AQ028-03	←	Pinion Ball Bearing		64	GU057-02	←	←	Body Cover B.B.	
33	SH011-01	TH011-01	←	Pinion Gear		65	RH318-03	TH318-03	←	Handle Assy.	
34	SH077-01	TH077-01	←	Stopper Screw							

<b>MODEL</b>	<b>EFFECTIVE DATE OF</b>	<b>DISCONTINUED :</b>
INTRODUCED : 1998	PARTS LIST/DIAGRAM: Sept. '98	N/A

Prices subject to change without notice. Zebco, P.O. Box 270, Tulsa, Ok. 74101; 918-831-6965 Phone or 800-FIXREEL (349-7335) FAX  
**PLEASE ORDER BY PART NUMBER** Prices do not include postage and handling.

