



TR4A

WARNING!!!

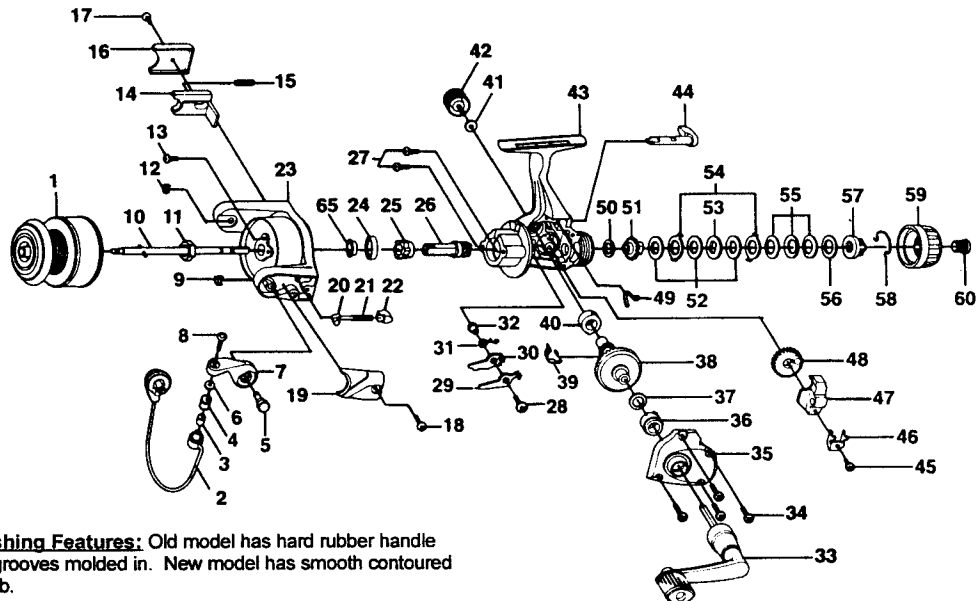
These parts are not interchangeable with previous model

SPECIFICATIONS:

Medium Freshwater
 240 yds./8 lb. Line Capacity
 Rear Drag
 4:0 Ratio
 11.5 oz. Weight

FEATURES:

Three-Way Silent
 (On/Off/Self-centering)
 Right/Left Interchangeable
 Handle
 Internal Bail Trip
 Rotating Line Roller
 Rugged Brass Pinion Gear
 Color: Black



Distinguishing Features: Old model has hard rubber handle knob with grooves molded in. New model has smooth contoured handle knob.

Special Handling Instructions: If specific model version cannot be identified for parts order, send one of each part (for old and new model) and charge for one part.

Key No.	Part No.	Description	Price	Key No.	Part No.	Description	Price
1	JU321-50	Spool Assembly	4.64	32	GU091-02	Anti-Reverse Pawl Post	.74
2	JH347-20	Bail Assembly	3.86	33	KU318-01	Handle Assembly	2.95
3	MT016-01	Line Roller Bushing	.77	34	JU057-04	Body Cover Screw	.64
4	KH004-02	Line Roller	1.24	35	LH023-09	Body Cover	2.83
5	HU051-01	Arm Lever Pin	.59	36	JU027-01	Gear Shaft Bushing	1.65
6	GU105-07	Line Roller Washer	.15	37	GU105-13	Adjustment Washer	.66
7	JH007-01	Arm Lever	.79	38	JU012-02	Drive Gear	3.55
8	KQ108-04	Line Slider Screw	.32	39	JU086-01	Silent Cam	1.16
9	GH034-01	E-Clip	.32	40	JU027-01	Gear Shaft Bushing	1.65
10	JU315-03	Main Shaft Assembly	2.07	41	GU105-01	Handle Screw Washer	.10
11	RU006-01	Rotor Nut	.93	42	XU073-01	Handle Screw	.64
12	GH034-01	E-Clip	.32	43	LH001-09	Body	2.68
13	GU077-08	Rotor Nut Lock Screw	.15	44	KH090-01	Anti-Reverse Lever	1.53
14	KU019-01	Kick Lever	1.16	45	JU100-01	Oscillator Retainer Screw	.27
15	KQ049-06	Kick Lever Spring	.26	46	JU078-01	Oscillator Slide Retainer	.32
16	KU046-01	Kick Lever Cover	.84	47	KU025-01	Oscillator Slider	2.07
17	GU077-02	Kick Lever Cover Screw	.15	48	KU053-01	Oscillator Gear	2.07
18	GU077-02	Bail Spring Cover Screw	.15	49	GU089-01	Anti-Reverse Lever Spring	.54
19	LH087-01	Bail Spring Cover	.21	50	GU105-32	Drag Friction Washer	.79
20	NL031-01	Bail Spring Pin	.27	51	KU075-01	Drag Click Gear	1.48
21	KQ049-02	Bail Spring	.91	52	GU105-33	Drag Washer "B"	.91
22	QL020-01	Bail Spring Holder	.32	53	JU080-01	Drag Washer "D"	1.06
23	KU009-02	Rotor	3.45	54	JU081-01	Drag Washer "A"	1.06
24	KU028-01	Pinion Bushing	.72	55	JU043-01	Drag Spring	1.38
25	JU060-01	Anti-Reverse Ratchet	2.49	56	GU105-19	Drag Washer	.99
26	JU011-01	Pinion Gear	2.44	57	JU066-01	Drag Nut	1.33
27	JU077-01	Bearing Screw	.64	58	JU083-01	Drag Click Spring	1.97
28	GU077-05	Anti-Reverse Pawl Screw	.15	59	KU032-02	Drag Knob	1.60
29	JU063-01	Anti-Reverse Pawl "A" (Cntr)	1.01	60	KH101-01	Drag Knob Screw	1.33
30	JU074-01	Anti-Reverse Pawl "B" (On)	1.01	65	KU110-01	Pinion Collar	.46
31	JU061-01	Anti-Reverse Pawl Spring	1.06				

MODEL INTRODUCED	1998	EFFECTIVE DATE OF PARTS LIST/DIAGRAM	1998	DISCONTINUED	N/A
------------------	------	--------------------------------------	------	--------------	-----

Prices subject to change without notice. Prices do not include postage and handling.

PLEASE ORDER BY PART NUMBER Zebco Division Brunswick Corporation, Box 270, Tulsa, OK 74101 USA 918-831-6965

