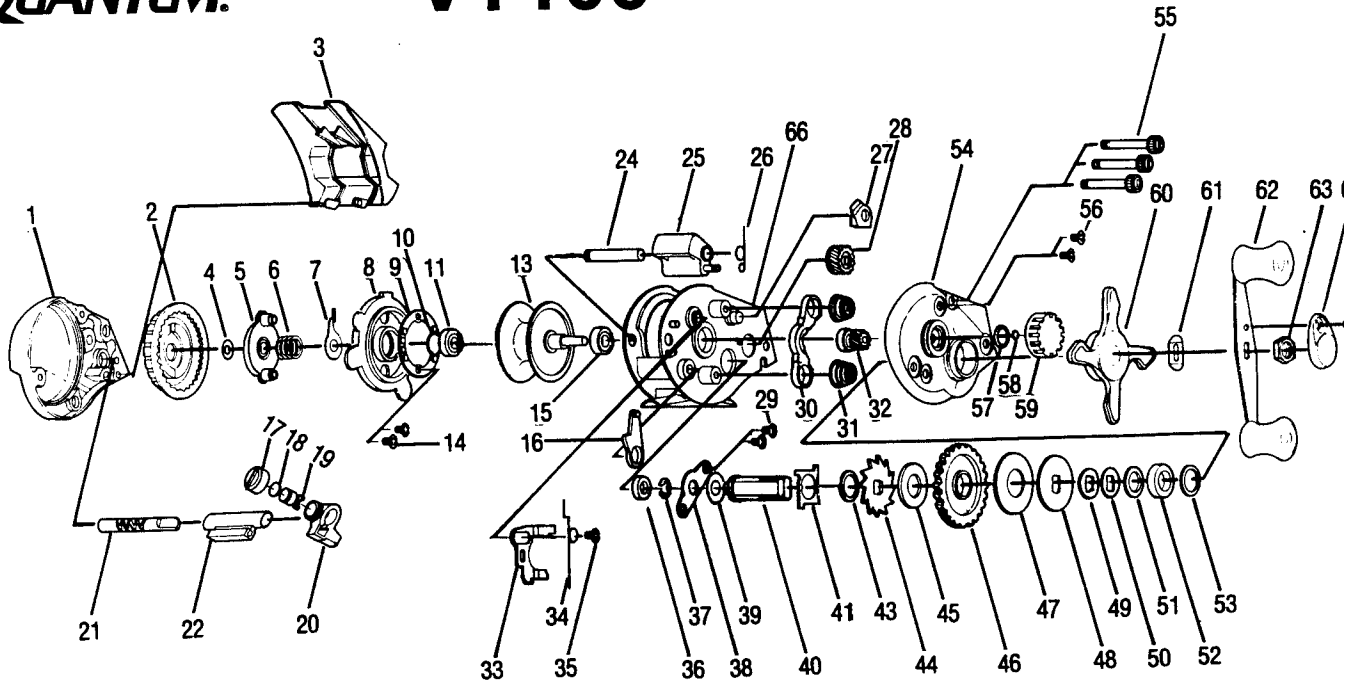


QUANTUM.

VT100



| KEY NO. | PART NO. | DESCRIPTION | PRICE |
|---------|----------|----------------------------|-------|
| 1 | WW023-08 | Left side Cover | 5.51 |
| 2 | WW026-03 | Magnet Control Dial | 1.49 |
| 3 | WW027-08 | Hood | 3.91 |
| 4 | NX105-01 | Magnet Dial Friction Ring | 0.77 |
| 5 | WW028-01 | Magnet Slide Cam | 0.93 |
| 6 | NX071-01 | Magnet Slide Cam Spring | 0.67 |
| 7 | WW108-01 | Magnet Dial Click Claw | 0.88 |
| 8 | WW051-01 | Spool Cover | 6.64 |
| 9 | WW330-01 | Magnet Plate Assy | 6.64 |
| 10 | WW082-01 | Spool Tension Shim Wash | 0.41 |
| 11 | WW017-01 | Spool Shaft Bearing | 0.46 |
| 13 | WW321-31 | Spool Assy | 8.29 |
| 14 | QW076-01 | Magnet Plate Screw | 0.62 |
| 15 | WW017-01 | Spool Shaft Bearing | 0.46 |
| 16 | WW084-01 | Link | 0.98 |
| 17 | QW007-01 | Line Guide Carrier Screw | 2.16 |
| 18 | QW035-00 | Line Guide Pawl Washer | 1.49 |
| 19 | WW006-01 | Line Guide Pawl | 2.16 |
| 20 | WW347-02 | Line Guide Carrier | 1.08 |
| 21 | WW072-01 | Worm Shaft | 5.51 |
| 22 | WW016-02 | Worm Shaft Guide | 1.08 |
| 24 | WW050-01 | Thumb Bar Pin | 1.24 |
| 25 | WW309-05 | Thumb Bar Assy | 2.21 |
| 26 | WW022-01 | Thumb Bar Spring | 0.88 |
| 27 | WW363-01 | Anti Reverse Pawl Assy | 1.75 |
| 28 | WW085-01 | Level Wind Gear | 0.93 |
| 29 | WW107-01 | Crank Shaft Retainer Screw | 0.67 |
| 30 | WW025-01 | Pinion Yoke | 0.93 |
| 31 | WW040-01 | Pinion Yoke Spring | 0.52 |
| 32 | WW311-01 | Pinion Gear | 3.30 |
| 33 | WW039-01 | Release Slider | 1.24 |

| KEY NO. | PART NO. | DESCRIPTION | PRICE |
|---------|----------|------------------------|-------|
| 34 | WW109-01 | Release Slider Spring | 1.49 |
| 35 | WW076-01 | Release Slider Screw | 0.77 |
| 36 | WW103-01 | Crank Shaft Bushing | 0.88 |
| 37 | QW120-01 | Crank Shaft E-Ring | 0.52 |
| 38 | WW002-01 | Crank Shaft Retainer | 1.03 |
| 39 | WW104-01 | Crank Shaft Washer | 0.52 |
| 40 | WW008-01 | Crank Shaft | 2.99 |
| 41 | GW083-01 | Trip Ratchet | 2.25 |
| 43 | WW111-01 | Ratchet Washer | 0.93 |
| 44 | WW091-01 | Anti Reverse Ratchet | 0.93 |
| 45 | WW110-01 | Drive Gear Washer | 0.93 |
| 46 | WW012-01 | Drive Gear | 8.19 |
| 47 | WW059-01 | Drag Disc | 2.68 |
| 48 | WW045-01 | Drag "D" Washer | 1.24 |
| 49 | QW046-02 | Spring "D" Washer | 0.98 |
| 50 | QW046-02 | Spring "D" Washer | 0.98 |
| 51 | WW035-01 | Bearing Washer | 0.98 |
| 52 | WW058-01 | Crank Shaft Bearing | 8.09 |
| 53 | WW035-01 | Bearing Washer | 0.98 |
| 54 | WW024-08 | Right Side Cover | 3.24 |
| 55 | WW374-02 | Thumb Screw | 1.44 |
| 56 | QW050-03 | Right Side Cover Screw | 0.93 |
| 57 | WW101-01 | Tension Knob O-Ring | 0.77 |
| 58 | WW032-01 | Tension Knob Washer | 0.46 |
| 59 | WW033-02 | Tension Knob | 0.93 |
| 60 | WW055-02 | Drag Star | 2.94 |
| 61 | NX054-01 | Handle Washer | 0.77 |
| 62 | WW318-05 | Handle Assy | 5.51 |
| 63 | QW003-01 | Handle Nut | 1.60 |
| 64 | QW034-04 | Handle Nut Cap | 0.93 |
| 65 | QW123-01 | Handle Nut Cap Screw | 0.93 |
| 66 | WW001-02 | Frame | 3.61 |

Prices subject to change without notice. Prices do not include postage and handling.

PLEASE ORDER BY PART NUMBER

Rev 12/95

Zebco Division of Brunswick Corporation, Box 270, Tulsa, OK. 74101 USA 918-831-6989

