

QUANTUM XT1A

WARNING!!!

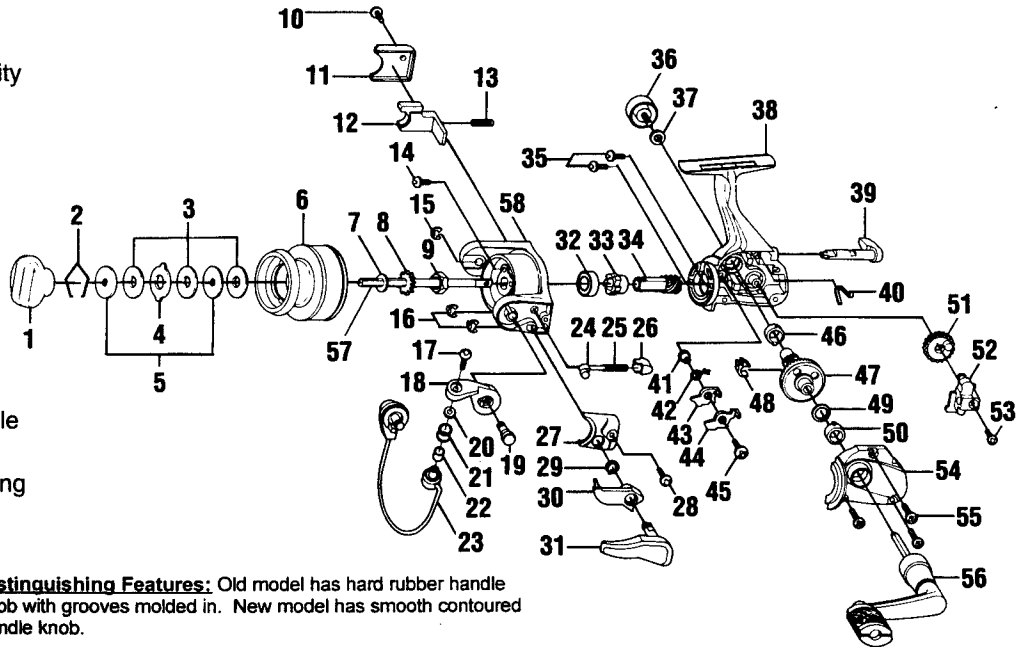
These parts are not interchangeable with previous model

SPECIFICATIONS:

Ultra Light
125 yds./4 lb. Line Capacity
Front Drag
4.4:1 Ratio
7.0 oz. Weight
1 Ball Bearing

FEATURES:

Light Weight Graphite Construction
Three-Way Silent (On/Off/Self-Centering) Anti-Reverse
Right/Left Balanced Handle
Internal Bail Trip
Twist Reducing Ball Bearing Line Roller
Pop-Off Spool
Snapshot Trigger
Color: Black



Distinguishing Features: Old model has hard rubber handle knob with grooves molded in. New model has smooth contoured handle knob.

Special Handling Instructions: If specific model version cannot be identified for parts order, send one of each part (for old and new model) and charge for one part.

Key No.	Part No.	Description	Price	Key No.	Part No.	Description	Price
1	GU332-01	Drag Knob Assembly	2.97	30	GU398-01	Trigger Link Assembly	1.75
2	GU038-01	Drag Retainer	.27	31	GU312-01	Trigger Assembly	3.72
3	GU105-05	Drag Washer "B"	.69	32	AQ028-01	Ball Bearing	6.95
4	GU081-01	Drag Washer "A"	.54	33	GU060-01	Ratchet Gear	2.12
5	GU080-01	Drag Washer "D"	.54	34	GU011-01	Pinion Gear	1.70
6	GU321-13	Spool Assembly	4.50	35	GU077-01	Bearing Screw	.15
7	GU105-06	Spool Adjustment Washer	.37	36	XU073-01	Handle Screw Cap	.64
8	GU037-01	Click Gear	.54	37	GU105-01	Handle Cap Washer	.10
9	GU006-01	Rotor Nut	.32	38	XU001-06	Body	4.07
10	GU077-02	Kick Lever Cover Screw	.15	39	KH090-01	Anti-Reverse Stopper Lever	1.53
11	GU046-01	Kick Lever Cover	.22	40	GU089-01	Anti-Reverse Lever Spring	.54
12	GU019-01	Kick Lever	.42	41	GU091-01	Anti-Reverse Pawl Post	.27
13	KQ049-01	Kick Lever Spring	.27	42	GU061-01	Anti-Reverse Pawl Spring	.37
14	GU077-08	Rotor Nut Lock Screw	.15	43	GU063-01	Anti-Reverse Pawl "A"	.47
15	KQ034-01	E-Clip	.15	44	GU074-01	Anti-Reverse Pawl "B"	.47
16	KQ034-01	E-Clip	.15	45	GU077-05	Anti-Reverse Pawl Screw	.15
17	AQ108-04	Line Slider Screw	.32	46	GU027-01	Gear Shaft Bushing	.84
18	GU007-61	Arm Lever	1.11	47	GU012-01	Drive Gear	2.97
19	LU051-01	Arm Lever Pin	.47	48	GU086-01	Silent Cam	.42
20	GU105-07	Line Roller Washer	.15	49	GU105-08	Drive Gear Adj. Washer	.15
21	NH004-01	Line Roller	1.24	50	GU027-01	Gear Shaft Bushing	.84
22	MT016-01	Line Roller Bushing	.77	51	GU053-01	Oscillator Gear	.91
23	GU347-61	Bail Assembly	3.77	52	GU025-01	Oscillator Slider	.91
24	KQ031-01	Arm Lever Spring Pin	.27	53	GU100-01	Main Shaft Screw	.15
25	KQ049-03	Arm Lever Spring	.32	54	GU023-05	Body Cover	1.75
26	QL020-01	Arm Lever Spring Holder	.32	55	GU057-01	Body Cover Screw	.15
27	GU087-61	Arm Lever Spring Cover	.22	56	XU318-01	Handle Assembly	2.32
28	GU077-02	Arm Lever Cover Screw	.15	57	GU015-01	Main Shaft	1.91
29	NL096-01	Trigger Spring	.84	58	GU009-02	Rotor	3.12

MODEL INTRODUCED	August 1, 1998	EFFECTIVE DATE OF PARTS LIST/DIAGRAM	August 1, 1998	DISCONTINUED	N/A
-------------------------	----------------	---	----------------	---------------------	-----

Prices subject to change without notice. Prices do not include postage and handling.

PLEASE ORDER BY PART NUMBER Zebco Division Brunswick Corporation, Box 270, Tulsa, OK 74101 USA 918-831-6965

