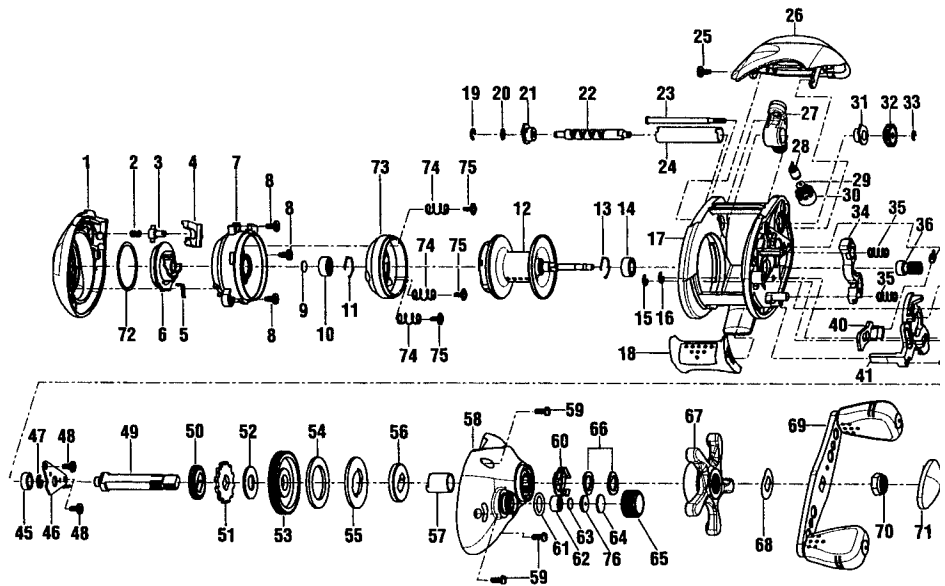


SPECIFICATIONS:

Medium FW / Light SW
 Line Capacity: 125 yds. / 12 lb.
 Gear Ratio: 5.1:1
 Weight: 8.4 oz.
 Bearings: 3BB, 1RB

FEATURES:

ACS External Centrifugal Cast Control
 Continuous Anti-Reverse
 One-Piece Frame and Spool
 Flippin' Switch
 Quick Release Side Cover
 Color: Gray



Key No.	Part No.	Description	Key No.	Part No.	Description
1	HV323-02	Palm Side Cover Assembly	40	HV077-01	Kick Lever
2	QV096-01	Palm Side Cover Locking Spring	41	HV039-01	Release Slider
3	HV095-01	Palm Side Cover Locking Pin	42	HV102-01	Release Slider Guide Pin
4	HV119-01	Palm Side Cover Release Button	43	HV118-01	Kick Lever Guide Pin
5	HV108-01	Centrifugal Dial Spring	44	ZW053-01	Thumb Bar Screw
6	HV026-01	Centrifugal Dial	45	SW017-01	Crank Shaft Bearing (L)
7	HV051-01	Spool Cover	46	QW120-01	E-Clip
8	QV125-02	Spool Cover Screw	47	HV002-01	Crank Shaft Retainer
9	QW032-04	Spool Shaft Washer	48	QV125-02	Crank Shaft Retainer Screw
10	QV017-01	Spool Shaft Bearing (Palm)	49	HV008-01	Crank Shaft
11	HV080-01	Clip Ring	50	ZW112-01	O/S Drive Gear
12	HV321-02	Spool Assembly	51	QW083-01	Trip Ratchet
13	HV080-01	Clip Ring	52	QW111-01	Trip Ratchet Washer
14	JX106-01	Spool Shaft Bearing (Gear)	53	XV012-01	Drive Gear
15	NX092-01	E-Clip	54	HV059-01	Drag Disc
16	NX092-01	E-Clip	55	HV045-01	Drag Key Washer
17	HV001-01	Frame	56	HV036-01	Link
18	HV009-01	Thumb Bar	57	HV052-01	One Way Bearing Sleeve
19	NX092-01	E-Clip	58	HV324-02	Gear Side Cover Assembly
20	QW035-03	Worm Shaft Washer	59	BV123-01	Gear Side Cover Screw
21	HV067-01	Worm Shaft Bushing (Palm)	60	ZW4114	Drag Click Spring Assembly
22	HV072-01	Worm Shaft	61	QW101-01	Tension Knob O-Ring
23	ZW061-01	Stablizer Bar	62	N/A	Tension Knob Bearing
24	HV016-01	Worm Shaft Guide	62	QW117-01	Tension Knob Bushing
25	QV125-02	Hood Screw	63	QW032-04	Spool Tension Washer
26	HV327-02	Hood Assembly	64	QW082-01	Spool Cushion Washer
27	HV347-01	Line Guide Carrier Assembly	65	HV033-01	Spool Tension Knob
28	ZW006-01	Line Guide Pawl	66	QW046-02	Spring "D" Washer
29	BV035-01	Line Guide Carrier Washer	67	HV355-01	Star Drag Assembly
30	ZW007-01	Line Guide Carrier Screw	68	QW054-01	Handle Washer
31	HV068-01	Worm Shaft Bushing (Gear)	69	HV318-01	Handle Assembly
32	HV085-01	O/S Pinion Gear	70	RV003-01	Handle Nut
33	NX090-01	E-Clip	71	RV034-01	Handle Nut Cap
34	HV025-01	Pinion Yoke	72	QV111-01	Centrifugal Dial Washer
35	QW040-01	Pinion Yoke Spring	73	HV342-01	Brake Ring Assembly
36	ZW311-01	Pinion Gear Assembly	74	QV070-01	Brake Ring Slider Spring
37	HV104-01	Release Slider Spring	75	QV076-01	Brake Ring Retainer Screw
38	HV087-01	Flipping Switch	76	QW081-01	Spool Tension Collar
39	QV097-01	Kick Lever Spring			