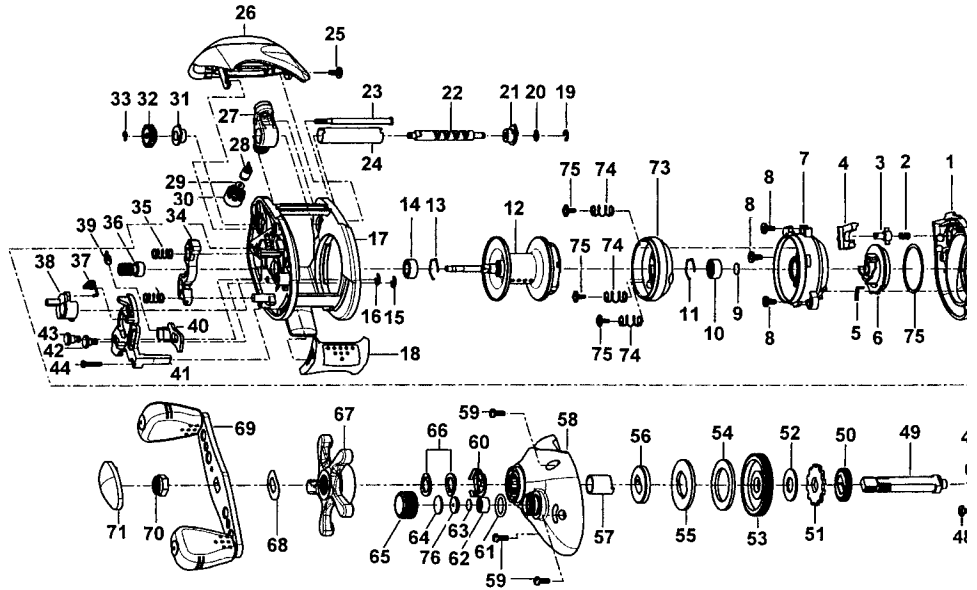


SPECIFICATIONS:

Medium FW / Light SW
 Line Capacity: 125 yds. / 12 lb.
 Gear Ratio: 6.2:1
 Weight: 8.4 oz.
 Bearings: 4BB, 1RB

FEATURES:

ACS External Centrifugal Cast Control
 Continuous Anti-Reverse
 One-Piece Frame and Spool
 Flippin' Switch
 Quick Release Side Cover
 Color: Gold



Key #	Description	Part No.		Key #	Description	Part No.	
		AC501CX	AC401C			AC501CX	AC40
1	Palm Side Cover Assembly	BX323-01	BX323-02	40	Kick Lever	BX077-01	⇔⇔⇔
2	Palm Side Cover Locking Spring	QV096-01	⇔⇔⇔	41	Release Slider	BX039-01	⇔⇔⇔
3	Palm Side Cover Locking Pin	HV095-01	⇔⇔⇔	42	Release Slider Guide Pin	HV102-01	⇔⇔⇔
4	Palm Side Cover Release Button	HV119-01	⇔⇔⇔	43	Kick Lever Guide Pin	HV118-01	⇔⇔⇔
5	Centrifugal Dial Spring	HV108-01	⇔⇔⇔	44	Thumb Bar Screw	ZW053-01	⇔⇔⇔
6	Centrifugal Dial	BX026-01	⇔⇔⇔	45	Crank Shaft Bearing (L)	SW017-01	⇔⇔⇔
7	Spool Cover	BX051-01	⇔⇔⇔	46	E-Clip	QW120-01	⇔⇔⇔
8	Spool Cover Screw	QV125-02	⇔⇔⇔	47	Crank Shaft Retainer	HV002-01	⇔⇔⇔
9	Spool Shaft Washer	QW032-04	⇔⇔⇔	48	Crank Shaft Retainer Screw	QV125-02	⇔⇔⇔
10	Spool Shaft Bearing (Palm)	QV017-01	⇔⇔⇔	49	Crank Shaft	HV008-02	⇔⇔⇔
11	Clip Ring	HV080-01	⇔⇔⇔	50	O/S Drive Gear	ZW112-01	⇔⇔⇔
12	Spool Assembly	HV321-03	HV321-04	51	Trip Ratchet	QW083-01	⇔⇔⇔
13	Clip Ring	HV080-01	⇔⇔⇔	52	Trip Ratchet Washer	QW111-01	⇔⇔⇔
14	Spool Shaft Bearing (Gear)	JX106-01	⇔⇔⇔	53	Drive Gear	HV012-02	XV012
15	E-Clip	NX092-01	⇔⇔⇔	54	Drag Disc	HV059-01	⇔⇔⇔
16	E-Clip	NX092-01	⇔⇔⇔	55	Drag Key Washer	HV045-01	⇔⇔⇔
17	Frame	BX001-01	⇔⇔⇔	56	Link	HV036-01	⇔⇔⇔
18	Thumb Bar	BX009-01	⇔⇔⇔	57	One Way Bearing Sleeve	HV052-01	⇔⇔⇔
19	E-Clip	NX092-01	⇔⇔⇔	58	Gear Side Cover Assembly	BX324-01	BX324-
20	Worm Shaft Washer	QW035-03	⇔⇔⇔	59	Gear Side Cover Screw	BV123-02	BV123-
21	Worm Shaft Bushing (Palm)	HV067-01	⇔⇔⇔	60	Drag Click Spring Assembly	ZW4114	⇔⇔⇔
22	Worm Shaft	HV072-01	⇔⇔⇔	61	Tension Knob O-Ring	QW101-01	⇔⇔⇔
23	Stabilizer Bar	ZW061-01	⇔⇔⇔	62	Tension Knob Bearing	SW117-01	N/A
24	Worm Shaft Guide	HV016-01	⇔⇔⇔	62	Tension Knob Bushing	N/A	QW117
25	Hood Screw	QV125-02	⇔⇔⇔	63	Spool Tension Washer	QW032-04	⇔⇔⇔
26	Hood Assembly	BX327-01	BX327-02	64	Spool Cushion Washer	QW082-01	⇔⇔⇔
27	Line Guide Carrier Assembly	HV347-02	HV347-01	65	Spool Tension Knob	HV033-02	HV033-
28	Line Guide Pawl	ZW006-01	⇔⇔⇔	66	Spring "D" Washer	QW046-02	⇔⇔⇔
29	Line Guide Carrier Washer	BV035-01	⇔⇔⇔	67	Star Drag Assembly	HV355-04	HV355-
30	Line Guide Carrier Screw	ZW007-02	⇔⇔⇔	68	Handle Washer	QW054-01	⇔⇔⇔
31	Worm Shaft Bushing (Gear)	HV068-01	⇔⇔⇔	69	Handle Assembly	HV318-02	HV318-
32	O/S Pinion Gear	HV085-01	⇔⇔⇔	70	Handle Nut	RV003-02	⇔⇔⇔
33	E-Clip	NX090-01	⇔⇔⇔	71	Handle Nut Cap	RV034-02	RV034-
34	Pinion Yoke	BX025-01	⇔⇔⇔	72	Centrifugal Dial Washer	QV111-01	⇔⇔⇔
35	Pinion Yoke Spring	QW040-01	⇔⇔⇔	73	Brake Ring Assembly	BX342-01	⇔⇔⇔
36	Pinion Gear Assembly	VV311-02	ZW311-02	74	Brake Ring Slider Spring	QV070-01	⇔⇔⇔
37	Release Slider Spring	BX104-01	⇔⇔⇔	75	Brake Ring Retainer Screw	QV076-01	⇔⇔⇔
38	Flipping Switch	BX087-02	BX087-01	76	Spool Tension Collar	QW081-01	⇔⇔⇔
39	Kick Lever Spring	QV097-01	⇔⇔⇔				12/9

Please call for parts pricing and availability.

PLEASE ORDER BY PART NUMBER