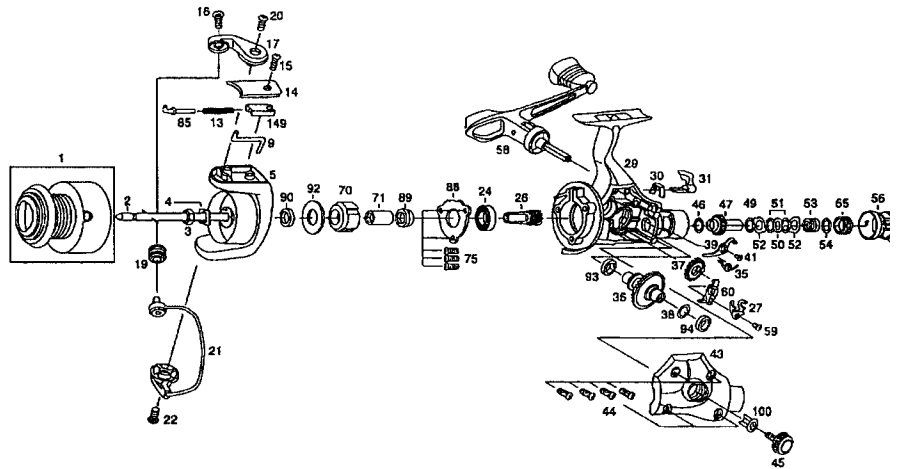


SPECIFICATIONS:

Light Freshwater
 Line Capacity: 145 yds. / 6 lb.
 Gear Ratio: 5.3:1
 Weight: 9.6 oz.
 Bearings: 2BB, 1RB

FEATURES:

Light Weight Graphite Construction
 Rear Drag
 Oversized Twist Reducer
 Line Roller
 Balanced Handle and Rotor
 Color: Black



Key No.	Part No.	Description	Key No.	Part No.	Description
1	PA321-52	SPOOL ASSEMBLY	45	PA073-01	HANDLE SCREW CAP
2	PA315-52	MAIN SHAFT ASSEMBLY	46	PA045-01	DRAG WASHER
3	GU006-01	ROTOR NUT	47	PA075-52	DRAG CLICK GEAR
4	PA065-02	ROTOR WASHER	49	PA039-01	DRAG FRICTION WASHER
5	PA009-52	ROTOR	50	PA080-01	DRAG WASHER "D"
9	PA019-52	KICK LEVER	51	PA033-01	DRAG WASHER "B"
13	PA022-01	BAIL SPRING	52	PA081-01	DRAG WASHER "A"
14	PA087-52	ARM LEVER SPRING COVER	53	PA043-52	DRAG SPRING
15	GU077-01	COVER SCREW	54	PA029-01	DRAG WASHER
16	UL108-02	LINE SLIDER SCREW	55	PA066-52	DRAG NUT
17	PA007-52	ARM LEVER	56	PA332-52	DRAG KNOB ASSEMBLY
19	PA004-02	LINE ROLLER	58	PA318-52	HANDLE ASSEMBLY
20	PA044-01	ARM LEVER SCREW	59	JU100-01	MAIN SHAFT SCREW
21	PA347-52	BAIL ASSEMBLY	60	PA025-01	O/S SLIDER
22	PA044-01	BAIL HOLDER SCREW	70	PA074-01	ONE WAY CLUTCH
24	PA028-01	BALL BEARING	71	PA139-01	CLUTCH SLEEVE
26	PA011-52	PINION GEAR	75	GU077-01	BEARING SCREW
27	PA078-01	RETAINER	85	PA031-01	BAIL SPRING SHAFT
29	PA301-52	BODY ASSEMBLY	88	PA040-52	BEARING PLATE
30	PA089-52	A/R LEVER SPRING	89	PA110-01	PINION COLLAR
31	PA090-52	A/R LEVER	90	PA167-01	PINION BUSHING
33	PA061-52	A/R PAWL SPRING	92	PA109-02	PINION WASHER
36	PA012-52	DRIVE GEAR	93	AQ028-01	GEAR SHAFT BALL BEARING
37	PA053-52	O/S GEAR	94	AQ028-01	GEAR SHAFT BALL BEARING
38	GU105-08	ADJUST WASHER	100	PA105-01	HANDLE SCREW WASHER
39	PA063-52	A/R PAWL	125	PA095-02	DRAG KNOB RETAINER
40	PA077-01	A/R PAWL SCREW	149	PA020-52	BAIL SPRING HOLDER
41	PA323-52	BODY COVER ASSEMBLY	173	PA071-02	DRAG KNOB RING
42	GU057-02	BODY COVER SCREW			