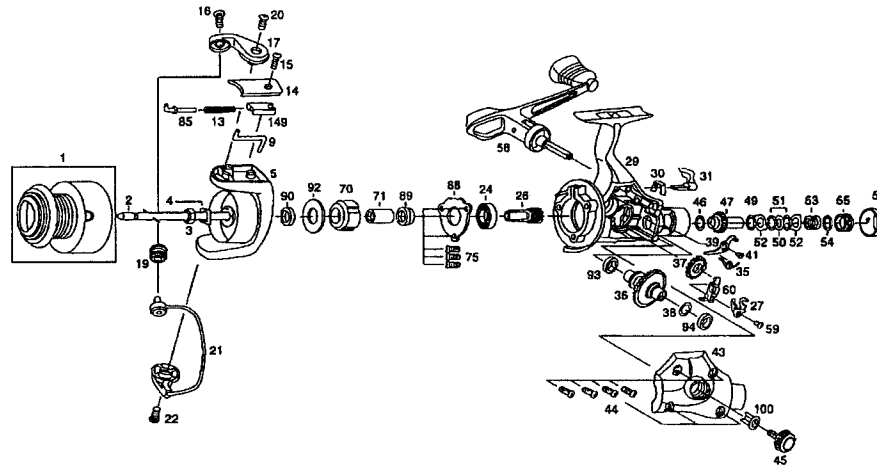


SPECIFICATIONS:

Medium Freshwater
 Line Capacity: 145 yds. / 12 lb.
 Gear Ratio: 4.9:1
 Weight: 13.5 oz.
 Bearings: 2BB, 1RB

FEATURES:

Light Weight Graphite Construction
 Rear Drag
 Oversized Twist Reducer
 Line Roller
 Balanced Handle and Rotor
 Color: Black



Key No.	Part No.	Description	Key No.	Part No.	Description
1	PA321-82	SPOOL ASSEMBLY	45	PA073-62	HANDLE SCREW CAP
2	PA315-72	MAIN SHAFT ASSEMBLY	46	PA045-61	DRAG WASHER
3	RU006-01	ROTOR NUT	47	PA075-62	DRAG CLICK GEAR
4	PA065-62	ROTOR WASHER	49	PA039-61	DRAG FRICTION WASHER
5	PA009-62	ROTOR	50	PA080-61	DRAG WASHER "D"
9	PA019-62	KICK LEVER	51	PA033-61	DRAG WASHER "B"
13	PA022-62	BAIL SPRING	52	PA081-61	DRAG WASHER "A"
14	PA087-62	ARM LEVER SPRING COVER	53	PA043-62	DRAG SPRING
15	GU077-01	COVER SCREW	54	PA029-61	DRAG WASHER
16	UL108-02	LINE SLIDER SCREW	55	PA066-62	DRAG NUT
17	PA007-52	ARM LEVER	56	PA332-62	DRAG KNOB ASSEMBLY
19	PA004-02	LINE ROLLER	58	PA318-62	HANDLE ASSEMBLY
20	PA044-01	ARM LEVER SCREW	59	JU100-01	MAIN SHAFT SCREW
21	PA347-62	BAIL ASSEMBLY	60	PA025-61	O/S SLIDER
22	PA044-01	BAIL HOLDER SCREW	70	PA074-61	ONE WAY CLUTCH
24	PA028-02	BALL BEARING	71	PA139-61	CLUTCH SLEEVE
26	PA011-62	PINION GEAR	75	GU077-01	BEARING SCREW
27	PA078-51	RETAINER	85	PA031-61	BAIL SPRING SHAFT
29	PA301-62	BODY ASSEMBLY	88	PA040-52	BEARING PLATE
30	PA089-62	A/R LEVER SPRING	89	PA110-51	PINION COLLAR
31	PA090-62	A/R LEVER	90	PA167-51	PINION BUSHING
32	PA061-62	A/R PAWL SPRING	92	PA109-62	PINION WASHER
36	PA012-62	DRIVE GEAR	93	AQ028-02	GEAR SHAFT BALL BEARING
37	PA053-61	O/S GEAR	94	AQ028-02	GEAR SHAFT BALL BEARING
38	GU105-13	ADJUST WASHER	100	PA105-51	HANDLE SCREW WASHER
39	PA063-62	A/R PAWL	125	PA095-62	DRAG KNOB RETAINER
40	GU077-05	A/R PAWL SCREW	149	PA020-62	BAIL SPRING HOLDER
41	PA323-62	BODY COVER ASSEMBLY	173	PA071-52	DRAG KNOB RING
42	JU057-03	BODY COVER SCREW			