

SPECIFICATIONS :

Application: Med. Lt. FW

5.2:1 Gear Ratio

Line Capacity:

HC2XS - 200 yds / 6 lb

HC3XS - 200 yds / 8 lb

Retrieve Rate (Inches Per Turn):

HC2XS - 24.5"

HC3XS - 26.5"

Weight:

HC2XS - 12.8 oz.

HC3XS - 13.3 oz.

3 Ball Bearing; 1 Roller Bearing

FEATURES :

Stem Mounted Trigger Casting

System W/ Pivoting Firing Pin

Front Drag

Tru-Balanced Rotor

Balanced Handle w/ Wooden Knob

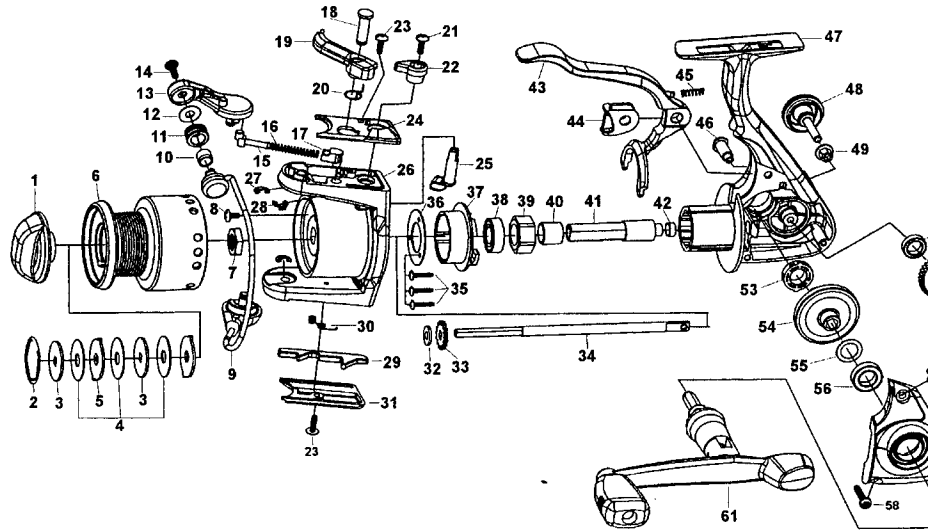
Oversized Twist Reducer Line Roller

Selective On/Off A/R

Geared (S-Curve) O/S System

Aluminum Spool w/ Holes

Color: Silver



KEY PART NUMBER

NO. HC2XS HC3XS DESCRIPTION

1	NH332-03	PH332-03	DRAG KNOB ASSEMBLY
2	GU038-01	←	DRAG RETAINER
3	GU080-01	←	DRAG WASHER "D"
4	NH033-01	←	DRAG WASHER "B"
5	GU081-01	←	DRAG WASHER "A"
6	NH321-02	PH321-02	SPOOL ASSEMBLY
7	RU006-01	←	ROTOR NUT
8	GU077-08	←	ROTOR NUT LOCK SCREW
9	NH347-05	PH347-05	BAIL ASSEMBLY
10	MT016-01	←	LINE ROLLER BUSHING
11	NH004-01	←	LINE ROLLER
13	PH007-03	←	ARM LEVER
14	AQ108-01	←	LINE SLIDER SCREW
15	KQ031-01	←	BAIL SPRING SHAFT
16	NH022-01	←	BAIL SPRING
17	QL020-01	←	BAIL SPRING HOLDER
18	NH113-01	←	LINK ARM LEVER PIN
19	NH397-03	←	LINK ARM LEVER ASSEMBLY
20	NH096-01	←	LINK ARM LEVER SPRING
21	AQ108-01	←	SCREW
22	NH154-02	←	LINK CAM
23	GU077-03	←	COVER SCREW
24	NH087-03	←	BAIL SPRING COVER
25	NH151-01	PH151-01	LINK SHAFT ARM
26	NH009-02	PH009-02	ROTOR
27	GH034-01	←	E-CLIP
28	KQ034-01	←	E-CLIP
29	NH019-01	←	KICK LEVER
30	GH049-02	←	KICK LEVER SPRING
31	NH024-03	←	KICK LEVER COVER

KEY PART NUMBER

NO. HC2XS HC3XS DESCRIPTION

32	GU105-06	←	CLICK GEAR WASHER
33	GU037-01	←	CLICK GEAR
34	NH015-01	←	MAIN SHAFT
35	NH041-01	←	BEARING PLATE SCREW
36	NH040-01	←	BEARING PLATE
37	NH121-01	←	BAIL OPENNING RING
38	AQ028-06	←	BALL BEARING
39	ZW063-01	←	CLUTCH BEARING
40	NH139-01	←	BEARING SLEEVE
41	NH011-01	←	PINION GEAR
42	RU141-01	←	PINION BUSHING
43	NH116-02	←	BAIL TRIP LEVER
44	NH114-01	PH114-01	KICK BOSS
45	UQ117-01	←	BAIL TRIP LEVER SPRING
46	NH115-01	←	BAIL TRIP LEVER SHAFT
47	NH301-05	NH301-06	BODY ASSEMBLY
48	NH373-01	←	HANDLE CAP SCREW ASS'Y
49	RU105-01	←	HANDLE CAP WASHER
50	NH053-01	←	O/S GEAR
51	NH025-01	←	O/S SLIDER
52	NH100-01	←	MAIN SHAFT SCREW
53	AQ028-03	←	BALL BEARING
54	NH012-01	←	DRIVE GEAR
55	GU105-13	←	GEAR ADJUST WASHER
56	AQ028-02	←	BALL BEARING
57	AQ108-01	←	BODY COVER SCREW
58	JU057-03	←	BODY COVER SCREW
59	GU057-02	←	BODY COVER SCREW
60	NH023-05	NH023-06	BODY COVER
61	NH318-02	←	HANDLE ASSEMBLY