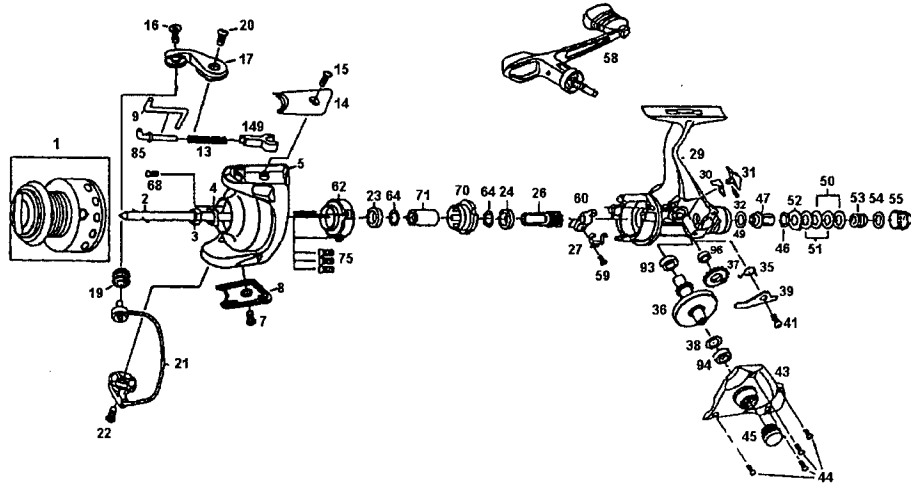


SPECIFICATIONS:

Light Freshwater
 Line Capacity; 145 yds. / 6 lb.
 Gear Ratio: 5.3:1
 Weight: 9.6 oz.
 Bearings: 3BB, 1RB

FEATURES:

Light Weight Graphite
 Construction
 Rear Drag
 Oversized Twist Reducer
 Line Roller
 Balanced Handle and Rotor
 Color: Deep Blue Metallic



Key No.	Part No.	Description	Key No.	Part No.	Description
1	PA321-51	SPOOL ASSEMBLY	41	GU077-05	A/R PAWL SCREW
2	PA315-51	MAIN SHAFT ASSEMBLY	43	PA323-51	BODY COVER ASSEMBLY
3	GU006-01	ROTOR NUT	44	GU057-02	BODY COVER SCREW
4	PA065-01	ROTOR WASHER	45	PA073-51	HANDLE SCREW CAP
5	PA009-51	ROTOR	46	PA045-01	DRAG WASHER
6	PA046-51	BAIL HOLDER COVER	47	PA075-51	DRAG CLICK GEAR
7	GU077-01	COVER SCREW	49	PA039-01	DRAG FRICTION WASHER
9	PA019-51	KICK LEVER	50	PA080-01	DRAG WASHER "D"
13	PA022-01	BAIL SPRING	51	PA033-01	DRAG WASHER "B"
14	PA087-51	ARM LEVER SPRING COVER	52	PA081-01	DRAG WASHER "A"
15	GU077-01	COVER SCREW	53	PA043-51	DRAG SPRING
16	UL108-02	LINE SLIDER SCREW	54	PA029-01	DRAG WASHER
17	PA007-51	ARM LEVER	55	PA066-51	DRAG NUT
19	PA004-01	LINE ROLLER	56	PA032-51	DRAG KNOB
20	PA044-01	ARM LEVER SCREW	58	PA318-51	HANDLE ASSEMBLY
21	PA347-51	BAIL ASSEMBLY	59	JU100-01	MAIN SHAFT SCREW
22	PA044-01	BAIL HOLDER SCREW	60	PA025-01	O/S SLIDER
23	BH028-01	BALL BEARING	62	PA040-51	BEARING PLATE
24	AQ028-01	BALL BEARING	64	PA109-01	PINION WASHER
26	PA011-51	PINION GEAR	68	GU094-01	ROTOR NUT LOCK S/C
27	PA078-01	RETAINER	70	PA074-01	ONE WAY CLUTCH
28	PA001-51	BODY	71	PA139-01	CLUTCH SLEEVE
30	PA089-51	A/R LEVER SPRING	75	PA041-01	BEARING SCREW
31	PA090-51	A/R LEVER	85	PA031-01	BAIL SPRING SHAFT
32	PA062-01	A/R LEVER PIN	93	AQ028-01	GEAR SHAFT BALL BEARING
33	PA061-51	A/R PAWL SPRING	94	AQ028-01	GEAR SHAFT BALL BEARING
34	PA012-51	DRIVE GEAR	95	PA158-01	O/S GEAR BUSHING
35	PA053-51	O/S GEAR	125	PA095-01	DRAG KNOB RETAINER
36	GU105-08	ADJUST WASHER	149	PA020-51	BAIL SPRING HOLDER
37	PA063-51	A/R PAWL	173	PA071-01	DRAG KNOB RING

Please call for parts pricing and availability.

PLEASE ORDER BY PART NU