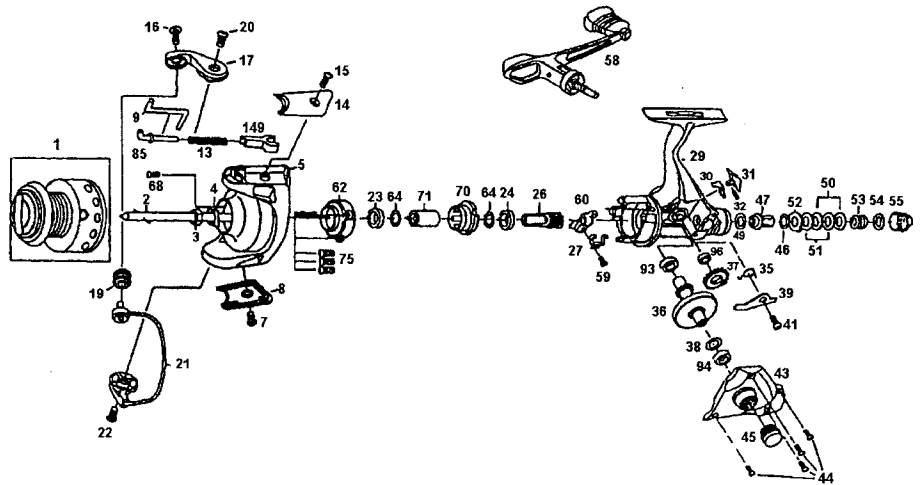


SPECIFICATIONS:

Medium / Heavy Freshwater
 Line Capacity: 140 yds. / 17 lb.
 Gear Ratio: 4.9:1
 Weight: 13.5 oz.
 Bearings: 3BB, 1RB

FEATURES:

Light Weight Graphite
 Construction
 Rear Drag
 Oversized Twist Reducer
 Line Roller
 Balanced Handle and Rotor
 Color: Deep Blue Metallic



Key No.	Part No.	Description	Key No.	Part No.	Description
1	PA321-91	SPOOL ASSEMBLY	41	PA077-01	A/R PAWL SCREW
2	PA315-71	MAIN SHAFT ASSEMBLY	43	PA323-61	BODY COVER ASSEMBLY
3	RU006-01	ROTOR NUT	44	JU057-03	BODY COVER SCREW
4	PA065-61	ROTOR WASHER	45	PA073-61	HANDLE SCREW CAP
5	PA009-61	ROTOR	46	PA045-61	DRAG WASHER
6	PA046-61	BAIL HOLDER COVER	47	PA075-61	DRAG CLICK GEAR
7	GU077-01	COVER SCREW	49	PA039-61	DRAG FRICTION WASHER
9	PA019-61	KICK LEVER	50	PA080-61	DRAG WASHER "D"
13	PA022-61	BAIL SPRING	51	PA033-61	DRAG WASHER "B"
14	PA087-61	ARM LEVER SPRING COVER	52	PA081-61	DRAG WASHER "A"
15	GU077-01	COVER SCREW	53	PA043-52	DRAG SPRING
16	UL108-02	LINE SLIDER SCREW	54	PA029-61	DRAG WASHER
17	PA007-61	ARM LEVER	55	PA066-61	DRAG NUT
19	PA004-01	LINE ROLLER	56	PA032-61	DRAG KNOB
20	PA044-01	ARM LEVER SCREW	58	PA318-61	HANDLE ASSEMBLY
21	PA347-61	BAIL ASSEMBLY	59	JU100-01	MAIN SHAFT SCREW
22	PA044-01	BAIL HOLDER SCREW	60	PA025-61	O/S SLIDER
23	BL157-01	BALL BEARING	62	PA040-61	BEARING PLATE
24	AQ028-02	BALL BEARING	64	PA109-61	PINION WASHER
26	PA011-61	PINION GEAR	68	GU094-01	ROTOR NUT LOCK S/C
27	PA078-51	RETAINER	70	PA074-61	ONE WAY CLUTCH
29	PA001-61	BODY	71	PA139-61	CLUTCH SLEEVE
30	PA089-61	A/R LEVER SPRING	75	PA041-01	BEARING SCREW
31	PA090-51	A/R LEVER	85	PA031-61	BAIL SPRING SHAFT
32	PA062-01	A/R LEVER PIN	93	AQ028-02	GEAR SHAFT BALL BEARING
33	PA061-61	A/R PAWL SPRING	94	AQ028-02	GEAR SHAFT BALL BEARING
36	PA012-61	DRIVE GEAR	95	PA158-01	O/S GEAR BUSHING
37	PA053-61	O/S GEAR	125	PA095-61	DRAG KNOB RETAINER
38	GU105-13	ADJUST WASHER	149	PA020-51	BAIL SPRING HOLDER
39	PA063-61	A/R PAWL	173	PA071-51	DRAG KNOB RING