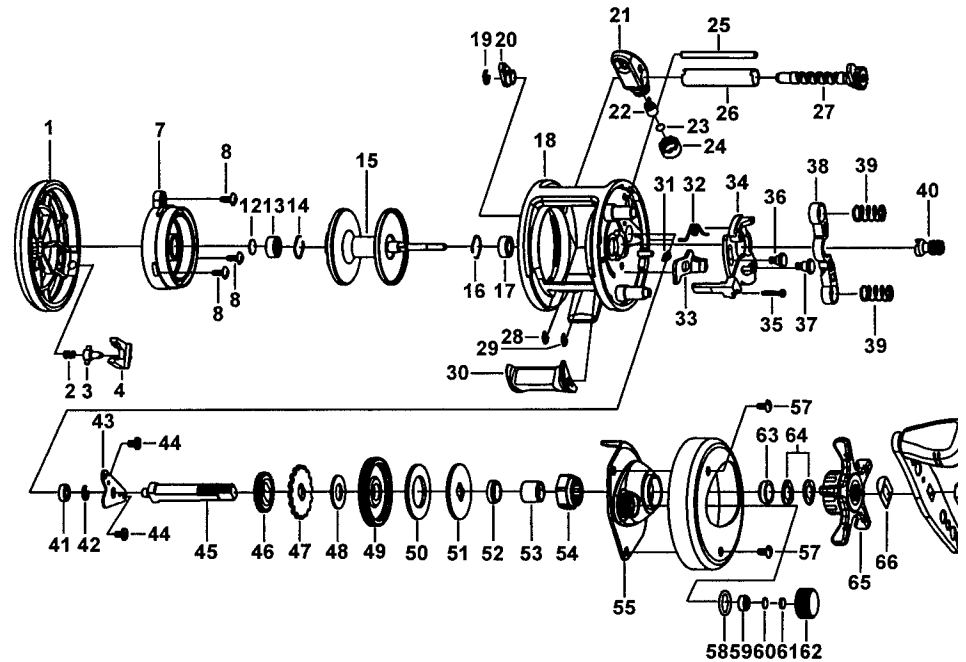


SPECIFICATIONS:

Medium FW / Light SW
 Line Capacity: 165 yds. / 12 lb.
 Gear Ratio: 5.2:1
 Line Recovery (IPT): 21"
 Weight: 9.5 oz.
 Bearings: 2BB, 1RB

FEATURES:

One-Piece Aluminum Frame
 Continuous Anti-Reverse
 Six Weight Adjustable
 Adjustable Centrifugal Brake
 Quick-Release Bayonet
 Mounted Side Cover
 Color: Gold



Key No.	Part No.	Description	Key No.	Part No.	Description
1	YV323-02	Palm Side Cover Assembly	39	JX040-01	Pinion Yoke Spring
2	QV096-01	Palm Side Cover Locking Spring	40	JX011-01	Pinion Gear
3	QV095-01	Palm Side Cover Locking Pin	41	JX017-01	Crank Shaft Bushing
4	QV119-01	Palm Side Cover Release Button	42	QW120-01	E-Clip
7	YV051-01	Spool Cover	43	QV002-01	Crank Shaft Retainer
8	QV125-01	Spool Cover Screw	44	JX107-01	Crank Shaft Retainer Screw
12	XX038-02	Spool Shaft Washer	45	QV008-01	Crank Shaft
13	HV017-01	Spool Shaft Bearing (L)	46	JX112-01	O/S Drive Gear
14	JX080-01	Clip Ring	47	JX083-01	Trip Ratchet
15	YV321-02	Spool Assembly	48	QW111-01	Ratchet Washer
16	JX080-01	Clip Ring	49	JX012-01	Drive Gear
17	JX106-01	Spool Shaft Bearing (R)	50	JX059-01	Drag Disc
18	QV001-04	Frame	51	QV045-01	Drag "D" Washer
19	QW120-01	E-Clip	52	QV088-01	Drag Collar
20	JX067-01	Worm Shaft Bushing	53	ZW052-01	One Way Bearing Sleeve
21	QV347-01	Line Guide Carrier Assembly	54	ZW063-02	One Way Bearing
22	JX006-03	Line Guide Pawl	55	QV066-01	Clutch Housing
23	JX035-01	Line Guide Pawl Washer	56	QV024-04	Gear Side Cover
24	JX007-02	Line Guide Carrier Screw	57	QW123-01	Gear Side Cover Screw
25	JX061-01	Line Guide Carrier Guide	58	QW101-01	Tension Knob O-Ring
26	JX016-01	Worm Shaft Guide	59	JX117-01	Tension Knob Bushing
27	JX372-01	Worm Shaft Assembly	60	QW032-02	Spool Tension Washer
28	NX092-01	E-Clip	61	JX082-01	Spool Cushion Washer
29	NX092-01	E-Clip	62	QV033-02	Spool Tension Knob
30	QV009-01	Thumb Bar	63	QV088-01	Drag Collar
31	QV097-01	Kick Lever Spring	64	JX046-01	Spring "D" Washer
32	QV104-01	Release Slider Spring	65	QV055-01	Star Drag
33	QV077-01	Kick Lever	66	NX054-01	Handle Washer
34	QV039-01	Release Slider	67	QV318-03	Handle Assembly
35	ZW053-01	Thumb Bar Screw	68	QW003-01	Handle Nut
36	QV102-01	Release Slider Guide Pin	69	JX034-02	Handle Nut Cap
37	QV068-01	Kick Lever Guide Pin	70	QW123-01	Handle Nut Cap Screw
38	QV025-01	Pinion Yoke			