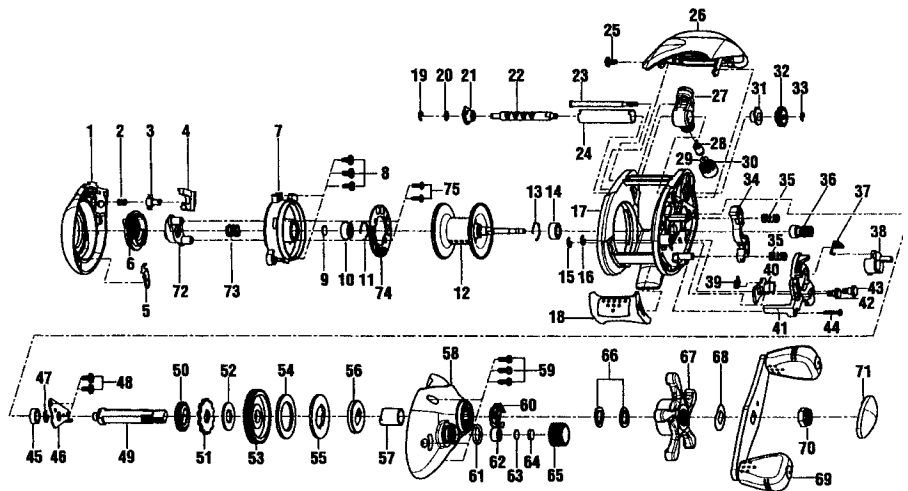


SPECIFICATIONS:

Medium FW / Light SW
 Line Capacity: 125 yds. / 12 lb.
 Gear Ratio: 5.1:1
 Retrieve Rate (IPT): 19.2"
 Weight: 8.5 oz.
 Bearings: 1BB, 1RB

FEATURES:

Magnetic Cast Control
 Magnum Gears
 Continuous Anti-Reverse
 Flippin' Switch
 Quick Release Side Cover
 One-Piece Frame and Spool
 Color: Blue



Key

No.	Part No.	Description
1	XV023-03	Palm Side Cover Assembly
2	QV096-01	Palm Side Cover Locking Spring
3	HV095-01	Palm Side Cover Locking Pin
4	HV119-01	Palm Side Cover Release Button
5	XV108-01	Magnet Dial Spring
6	XV326-01	Magnet Dial Assembly
7	XV051-01	Spool Cover
8	QV125-02	Spool Cover Screw
9	QW032-04	Spool Shaft Washer
10	N/A	Spool Shaft Bearing (Palm)
10	HV017-01	Spool Shaft Bushing (Palm)
11	HV080-01	Clip Ring
12	XV321-02	Spool Assembly
13	HV080-01	Clip Ring
14	JX106-01	Spool Shaft Bearing (Gear)
15	NX092-01	E-Clip
16	NX092-01	E-Clip
17	HV001-01	Frame
18	HV009-01	Thumb Bar
19	NX092-01	E-Clip
20	QW035-03	Worm Shaft Washer
21	HV067-01	Worm Shaft Bushing (Palm)
22	HV072-01	Worm Shaft
23	ZW061-01	Stablizer Bar
24	HV016-01	Worm Shaft Guide
25	QV125-02	Hood Screw
26	XV327-03	Hood Assembly
27	HV347-01	Line Guide Carrier Assembly
28	ZW006-01	Line Guide Pawl
29	BV035-01	Line Guide Carrier Washer
30	ZW007-01	Line Guide Carrier Screw
31	HV068-01	Worm Shaft Bushing (Gear)
32	HV085-01	O/S Pinion Gear
33	NX090-01	E-Clip
34	HV025-01	Pinion Yoke
35	QW040-01	Pinion Yoke Spring
36	ZW311-01	Pinion Gear Assembly
37	HV104-01	Release Slider Spring
38	HV087-01	Flippin' Switch

Key

No.	Part No.	Description
39	QV097-01	Kick Lever Spring
40	HV077-01	Kick Lever
41	HV039-01	Release Slider
42	HV102-01	Release Slider Guide Pin
43	HV118-01	Kick Lever Guide Pin
44	ZW053-01	Thumb Bar Screw
45	N/A	Crank Shaft Bearing (L)
45	ZW017-01	Crank Shaft Bushing (L)
46	QW120-01	E-Clip
47	HV002-01	Crank Shaft Retainer
48	QV125-02	Crank Shaft Retainer Screw
49	HV008-01	Crank Shaft
50	ZW112-01	O/S Drive Gear
51	QW083-01	Trip Ratchet
52	QW111-01	Trip Ratchet Washer
53	XV012-01	Drive Gear
54	HV059-01	Drag Disc
55	HV045-01	Drag Key Washer
56	HV036-01	Link
57	HV052-01	One Way Bearing Sleeve
58	HV324-05	Gear Side Cover Assembly
59	BV123-01	Gear Side Cover Screw
60	ZW4114	Drag Click Spring Assembly
61	QW101-01	Tension Knob O-Ring
62	QW117-01	Tension Knob Bushing
63	QW032-04	Spool Tension Washer
64	MV082-01	Spool Cushion Washer
65	XV033-01	Spool Tension Knob
66	QW046-02	Spring "D" Washer
67	XV055-01	Star Drag
68	QW054-01	Handle Washer
69	XV318-01	Handle Assembly
70	RV003-01	Handle Nut
71	RV034-03	Handle Nut Cap
72	XV028-01	Slide Cam
73	XV071-01	Slide Cam Spring
74	XV330-01	Magnet Assembly
75	QW076-01	Magnet Plate Screw