

MODEL	APPLICATION	LINE CAPACITY	RATIO	WEIGHT	BEARINGS
RE2LTI	FRESH LT SW	150 YDS/6 LB	6.0:1	9.5 OZ.	3BB: IRB
RE2XTI	FRESH LT SW	150 YDS/6 LB	6.0:1	9.5 OZ.	6BB: IRB
RE3LTI	FRESH LT SW	200 YDS/8 LB	6.2:1	12.4 OZ.	3BB: IRB
RE3XTI	FRESH LT SW	200 YDS/8 LB	6.2:1	12.4 OZ.	6BB: IRB
RE4LTI	FRESH LT SW	220 YDS/10 LB	6.2:1	13.8 OZ.	3BB: IRB
RE4XTI	FRESH LT SW	220 YDS/10 LB	6.2:1	13.8 OZ.	6BB: IRB

FEATURES

SOFT TOUCH AROUND
BODY STEM

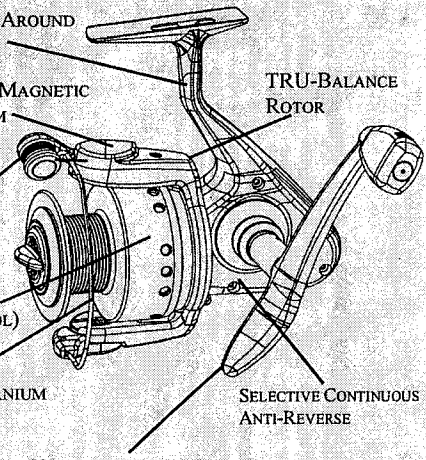
TI MAG™ MAGNETIC
BAIL SYSTEM

TWIST
REDUCTION
SYSTEM

LINE MEMO
(INSIDE SPOOL)

NICKEL TITANIUM
BAIL WIRE

TRU-BALANCE HANDLE



KEY#	RE2LTI	RE2XTI	RE3LTI	RE3XTI	RE4LTI	RE4XTI	DESCRIPTION
1	CH332-02	CH332-01	CH332-02	CH332-01	CH332-02	CH332-01	DRAG KNOB ASSEMBLY
2	DH038-01	DH038-01	DH038-01	DH038-01	DH038-01	DH038-01	DRAG RETAINER
3	CH080-01	CH080-01	CH080-01	CH080-01	CH080-01	CH080-01	DRAG WASHER "D"
4	CH033-01	CH033-01	CH033-01	CH033-01	CH033-01	CH033-01	DRAG WASHER "B"
5	CH081-01	CH081-01	CH081-01	CH081-01	CH081-01	CH081-01	DRAG WASHER "A"
6	CH321-21	CH321-01	DH321-21	DH321-01	EH321-21	EH321-01	SPOOL ASSEMBLY
7	CH347-02	CH347-01	DH347-02	DH347-01	EH347-02	EH347-01	BAIL ASSEMBLY
8	DH016-01	-	DH016-01	-	DH016-01	-	LINE ROLLER BUSHING
8	-	GH202-01	-	GH202-01	-	GH202-01	LINE ROLLER BEARING
9	DH004-01	CH004-01	DH004-01	CH004-01	DH004-01	CH004-01	LINE ROLLER
10	DH102-01	DH102-01	DH102-01	DH102-01	DH102-01	DH102-01	LINE ROLLER WASHER
11	CH102-01	CH102-01	CH102-01	CH102-01	CH102-01	CH102-01	LINE ROLLER COLLAR
12	CH307-02	CH307-01	DH307-02	DH307-01	DH307-02	DH307-01	ARM LEVER ASSEMBLY
13	CH108-02	CH108-01	CH108-02	CH108-01	CH108-02	CH108-01	LINE SLIDER SCREW
14	DH118-01	DK118-01	DK118-01	DK118-01	DK118-01	DK118-01	ARM LEVER WASHER (L)
15	CH118-01	CH118-01	CH118-01	CH118-01	CH118-01	CH118-01	ARM LEVER WASHER (U)
16	GU077-01	GU077-01	GU077-01	GU077-01	GU077-01	GU077-01	ARM LEVER SCREW
17	CH019-01	CH019-01	DH019-01	DH019-01	EH019-01	EH019-01	KICK LEVER
18	CH087-02	CH087-01	DH087-02	DH087-01	DH087-02	DH087-01	ARM LEVER COVER
19	CH084-02	CH084-01	CH084-02	CH084-01	CH084-02	CH084-01	ARM LEVER COVER SCR
20	-	-	-	-	-	-	N/A
21	-	-	-	-	-	-	N/A
22	GH034-01	GH034-01	GH034-01	GH034-01	GH034-01	GH034-01	E-CLIP
23	GU006-01	GU006-01	RU006-01	RU006-01	RU006-01	RU006-01	ROTOR NUT
24	CH094-01	CH094-01	CH094-01	CH094-01	CH094-01	CH094-01	ROTOR NUT LOCK SCRE
25	CH309-02	CH309-01	DH309-02	DH309-01	EH309-02	EH309-01	ROTOR ASSEMBLY
26	CH315-01	CH315-01	DH315-01	DH315-01	DH315-01	DH315-01	MAIN SHAFT ASSEMBLY
27	CH041-01	CH041-01	CH041-01	CH041-01	CH041-01	CH041-01	BEARING SCREW
28	CH040-01	CH040-01	CH040-01	CH040-01	CH040-01	CH040-01	BEARING HOUSING
29	BH028-01	BH028-01	BL157-01	BL157-01	BL157-01	BL157-01	BALL BEARING
30	CH110-01	CH110-01	EH110-01	EH110-01	EH110-01	EH110-01	PINION WASHER (U)
31	CH139-01	CH139-01	DH139-01	DH139-01	DH139-01	DH139-01	CLUTCH SLEEVE
32	CH060-01	CH060-01	DH060-01	DH060-01	DH060-01	DH060-01	ONE WAY CLUTCH
33	DH110-01	DH110-01	EH110-01	EH110-01	EH110-01	EH110-01	PINION WASHER (L)
34	CH028-01	CH028-01	BL157-01	BL157-01	BL157-01	BL157-01	BALL BEARING
35	CH011-01	CH011-01	DH011-01	DH011-01	DH011-01	DH011-01	PINION GEAR
36	CH141-01	CH141-01	DH141-01	DH141-01	DH141-01	DH141-01	PINION BUSHING
37	CH077-01	-	-	-	-	-	ANTI-REVERSE PAWL SC
38	CH063-01	CH063-01	DH063-01	DH063-01	DH063-01	DH063-01	ANTI-REVERSE PAWL
39	CH061-01	CH061-01	DH061-01	DH061-01	DH061-01	DH061-01	ANTI REVERSE PAWL SP
40	CH089-01	CH089-01	CH089-01	CH089-01	CH089-01	CH089-01	ANTI REVERSE CAM SPF
41	CH090-01	CH090-01	CH090-01	CH090-01	CH090-01	CH090-01	ANTI REVERSE CAM
42	CH059-01	CH059-01	CH059-01	CH059-01	CH059-01	CH059-01	ANTI REVERSE LEVER
43	CH135-01	CH135-01	CH135-01	CH135-01	CH135-01	CH135-01	ANTI REVERSE LEVER S
44	CH301-02	CH301-01	DH301-02	DH301-01	DH301-04	DH301-03	BODY ASSEMBLY
45	CH105-01	CH105-01	CH105-01	CH105-01	CH105-01	CH105-01	HANDLE SCREW WASHE
46	CH373-02	CH373-01	CH373-02	CH373-01	CH373-02	CH373-01	HANDLE SCREW ASSEM
47	DH158-01	-	DH158-01	-	DH158-01	-	O/S GEAR BUSHING
47	-	CH158-01	-	CH158-01	-	CH158-01	O/S GEAR BALL BEARIN
48	CH053-01	CH053-01	DH053-01	DH053-01	DH053-01	DH053-01	OSCILLATOR GEAR
49	CH025-01	CH025-01	DH025-01	DH025-01	DH025-01	DH025-01	OSCILLATOR SLIDER
50	CH100-01	CH100-01	DH100-01	DH100-01	DH100-01	DH100-01	MAIN SHAFT SCREW
51	CH013-01	-	CH013-01	-	CH013-01	-	GEAR SHAFT BUSHING
51	-	CH027-01	-	CH027-01	-	CH027-01	GEAR SHAFT BALL BEAF
52	CH012-01	CH012-01	DH012-01	DH012-01	DH012-01	DH012-01	DRIVE GEAR
53	GU105-08	GU105-08	GU105-08	GU105-08	GU105-08	GU105-08	ADJUST WASHER
54	CH028-01	CH028-01	CH028-01	CH028-01	CH028-01	CH028-01	BALL BEARING
55	CH323-02	CH323-01	DH323-02	DH323-01	DH323-04	DH323-03	BODY COVER ASSEMBL'
56	CH057-02	CH057-01	CH057-02	CH057-01	CH057-02	CH057-01	BODY COVER SCREW
57	CH318-02	CH318-01	DH318-02	DH318-01	EH318-02	EH318-01	HANDLE ASSEMBLY

Model Year 2000