



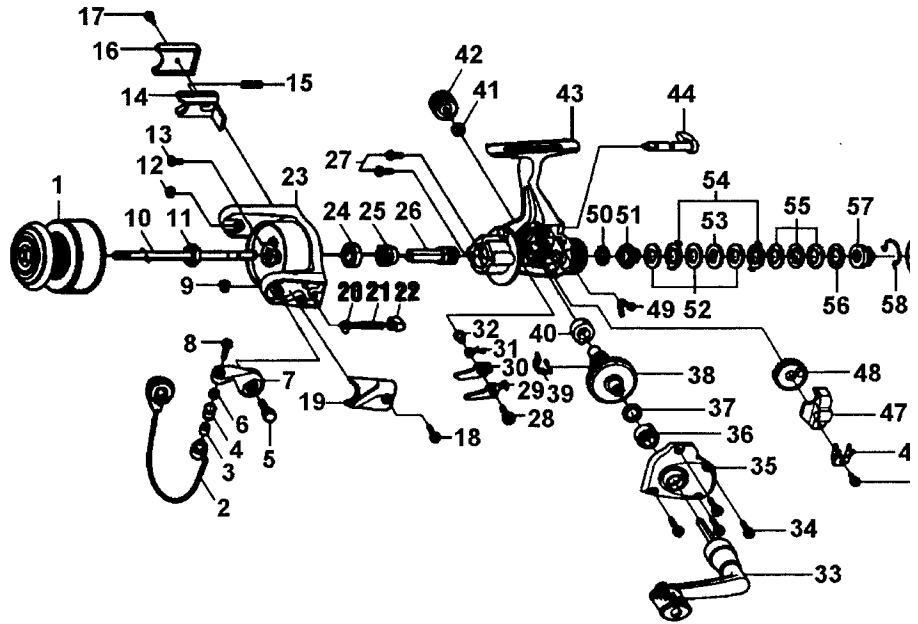
# SFS2000

### SPECIFICATIONS:

Light Freshwater  
 Line Capacity: 140 yds. / 6 lb.  
 Gear Ratio: 4.1:1  
 Weight: 7.8 oz.  
 1 Ball Bearing

### FEATURES:

Rear Drag  
 Three Way Selective Anti-Reverse  
 Aluminum Long Stroke Spool



KEY PART NO	NUMBER	DESCRIPTION	KEY PART NO	NUMBER	DESCRIPTION
1	HU321-02	SPOOL ASSEMBLY	31	GU061-01	ANTI-REVERSE PAWL SPRING
2	JH347-02	BAIL ASSEMBLY	32	GU091-01	ANTI-REVERSE PAWL POST
3	MT016-01	LINE ROLLER BUSHING	33	HU318-04	HANDLE ASSEMBLY
4	KH004-02	LINE ROLLER	34	GU057-01	BODY COVER SCREW
5	HU051-01	ARM LEVER PIN	35	JH323-20	BODY COVER ASSEMBLY
6	GU105-07	LINE ROLLER WASHER	36	GU027-01	GEAR SHAFT BUSHING
7	JH007-01	ARM LEVER	37	GU105-08	ADJUSTMENT WASHER
8	AQ108-04	LINE SLIDER SCREW	38	GU012-01	DRIVE GEAR
9	KQ034-01	E-CLIP	39	GU086-01	SILENT CAM
10	JU315-02	MAIN SHAFT ASSEMBLY	40	GU027-01	GEAR SHAFT BUSHING
11	GU006-01	ROTOR NUT	41	GU105-01	HANDLE SCREW WASHER
12	KQ034-01	E-CLIP	42	XU073-04	HANDLE SCREW
13	GU077-04	ROTOR NUT LOCK SCREW	43	JH001-19	BODY
14	HU019-01	KICK LEVER	44	KH090-01	ANTI-REVERSE LEVER
15	KQ049-04	KICK LEVER SPRING	45	JU100-01	OSCILLATOR RETAINER SCRE
16	HU046-01	KICK LEVER COVER	46	HU078-01	OSCILLATOR SLIDE RETAINER
17	GU077-02	KICK LEVER COVER SCREW	47	HU025-01	OSCILLATOR SLIDER
18	GU077-02	ARM LEVER COVER SCREW	48	HU053-01	OSCILLATOR GEAR
19	JH087-01	ARM LEVER SPRING COVER	49	GU089-01	ANTI-REVERSE LEVER SPRING
20	KQ031-01	ARM LEVER SPRING PIN	50	GU105-34	DRAG FRICTION WASHER 'A'
21	KQ049-05	ARM LEVER SPRING	51	HU075-01	DRAG CLICK GEAR
22	QL020-01	ARM LEVER SPRING HOLDER	52	GU105-35	DRAG WASHER 'B'
23	HU009-08	ROTOR	53	HU080-01	DRAG WASHER 'D'
24	AQ028-01	BALL BEARING	54	HU081-01	DRAG WASHER KEYED
25	HU060-01	ANTI-REVERSE RATCHET	55	HU043-01	DRAG SPRING
26	GU011-02	PINION	56	GU105-24	DRAG WASHER
27	GU077-01	BEARING SCREW	57	JH066-01	DRAG NUT
28	GU077-05	ANTI-REVERSE PAWL SCREW	58	JH070-01	DRAG RETAINER CLIP
29	GU063-01	ANTI-REVERSE PAWL "A" (CNTR)	59	DU332-02	DRAG KNOB ASSEMBLY
30	GU074-01	ANTI-REVERSE PAWL "B" (ON)	60	JH101-01	DRAG KNOB SCREW

Please call for parts pricing and availability.

PLEASE ORDER BY PART NUMBER