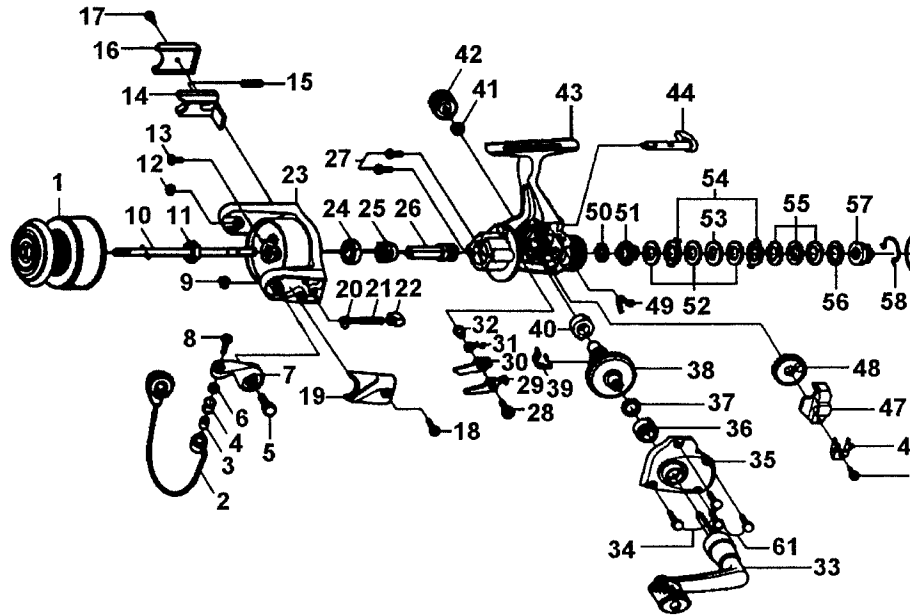


SPECIFICATIONS:

/Medium Freshwater
 Line Capacity: 240 yds. / 8 lb.
 Gear Ratio: 4.1:1
 Weight: 12.7 oz.
 1 Ball Bearing

FEATURES:

Rear Drag
 Three Way Selective Anti-Reverse
 Aluminum Long Stroke Spool



KEY PART NO.	NUMBER	DESCRIPTION	KEY PART NO.	NUMBER	DESCRIPTION
1	LH321-02	SPOOL ASSEMBLY	31	JU061-01	ANTI-REVERSE PAWL SPRING
2	JH347-11	BAIL ASSEMBLY	32	GU091-02	ANTI-REVERSE PAWL POST
3	MT016-01	LINE ROLLER BUSHING	33	KU318-04	HANDLE ASSEMBLY
4	KH004-02	LINE ROLLER	34	JU057-04	BODY COVER SCREW
5	HU051-01	ARM LEVER PIN	35	LH323-19	BODY COVER ASSEMBLY
6	GU105-07	LINE ROLLER WASHER	36	JU027-01	GEAR SHAFT BUSHING
7	JH007-01	ARM LEVER	37	GU105-13	ADJUSTMENT WASHER
8	AQ108-04	LINE SLIDER SCREW	38	JU012-02	DRIVE GEAR
9	KQ034-01	E-CLIP	39	JU086-01	SILENT CAM
10	JU315-03	MAIN SHAFT ASSEMBLY	40	JU027-01	GEAR SHAFT BUSHING
11	RU006-01	ROTOR NUT	41	GU105-01	HANDLE SCREW WASHER
12	KQ034-01	E-CLIP	42	XU073-04	HANDLE SCREW
13	GU077-04	ROTOR NUT LOCK SCREW	43	LH001-18	BODY
14	KU019-01	KICK LEVER	44	KH090-01	ANTI-REVERSE LEVER
15	KQ049-06	KICK LEVER SPRING	45	JU100-01	OSCILLATOR RETAINER SCREW
16	KU046-01	KICK LEVER COVER	46	JU078-01	OSCILLATOR SLIDE RETAINER
17	GU077-02	KICK LEVER COVER SCREW	47	KU025-01	OSCILLATOR SLIDER
18	GU077-02	ARM LEVER COVER SCREW	48	KU053-01	OSCILLATOR GEAR
19	LH087-01	ARM LEVER SPRING COVER	49	GU089-01	ANTI-REVERSE LEVER SPRING
20	NL031-01	ARM LEVER SPRING SHAFT	50	GU105-32	DRAG FRICTION WASHER 'A'
21	KQ049-02	ARM LEVER SPRING	51	KU075-01	DRAG CLICK GEAR
22	QL020-01	ARM LEVER SPRING HOLDER	52	GU105-33	DRAG DISC
23	KU009-08	ROTOR	53	JU080-01	DRAG WASHER 'D'
24	AQ028-06	BALL BEARING	54	JU081-01	DRAG WASHER KEYED
25	JU060-01	ANTI-REVERSE RATCHET	55	JU043-01	DRAG SPRING
26	JU011-01	PINION GEAR	56	GU105-19	DRAG WASHER
27	JU077-01	BEARING SCREW	57	LH066-01	DRAG NUT
28	GU077-16	ANTI-REVERSE PAWL SCREW	58	LH083-01	DRAG CLICK SPRING
29	JU063-01	ANTI-REVERSE PAWL "A" (CNTR)	59	LH332-02	DRAG KNOB ASSEMBLY
30	JU074-01	ANTI-REVERSE PAWL "B" (ON)	60	KH101-01	DRAG KNOB SCREW
			61	GU057-01	BODY COVER SCREW