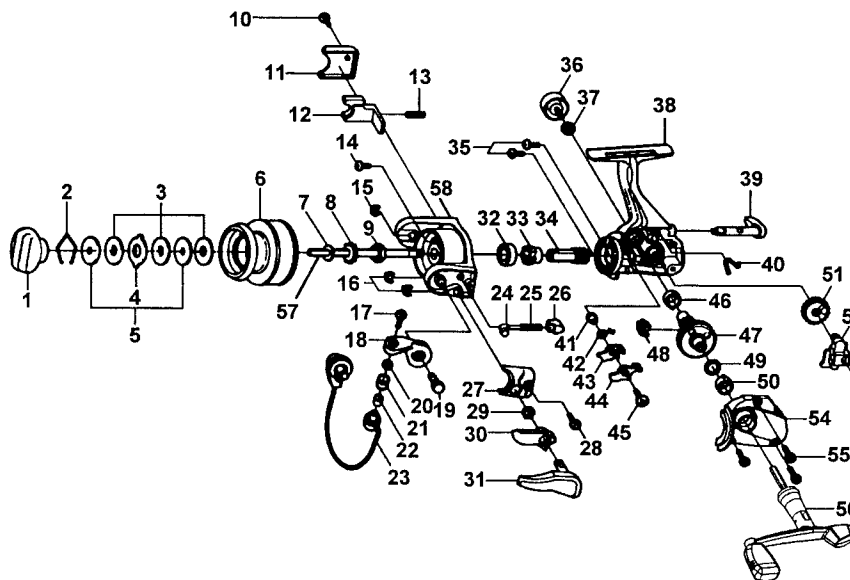


**SPECIFICATIONS:**

Ultra Light Freshwater  
 Line Capacity: 125 yds. / 4 lb.  
 Gear Ratio: 4.4:1  
 Weight: 6.8 oz.  
 2 Ball Bearings

**FEATURES:**

Front Drag  
 Three Way Selective Anti-Reverse  
 Aluminum Long Stroke Spool  
 Right/Left Hand Retrieve  
 Balanced Handle and Rotor



KEY PART NO.	NO.	DESCRIPTION	KEY PART NO.	NO.	DESCRIPTION
1	GU332-08	DRAG KNOB ASSEMBLY	30	GU098-02	TRIGGER LINK
2	GU038-01	DRAG RETAINER	31	GU312-03	TRIGGER ASSEMBLY
3	GU105-05	DRAG DISC	32	AQ028-01	BALL BEARING
4	GU081-01	DRAG KEY WASHER	33	HU060-01	RATCHET GEAR
5	GU080-01	DRAG D WASHER	34	GU011-01	PINION GEAR
6	XU321-20	SPOOL ASSEMBLY	35	GU077-01	BEARING SCREW
7	GU105-06	SPOOL ADJUSTMENT WASHER	36	XU073-04	HANDLE SCREW CAP
8	GU037-01	CLICK GEAR	37	GU105-01	HANDLE CAP WASHER
9	GU006-01	ROTOR NUT	38	XU001-09	BODY
10	GU077-02	KICK LEVER COVER SCREW	39	KH090-03	ANTI REVERSE LEVER
11	GU046-07	KICK LEVER COVER	40	GU089-01	ANTI REVERSE LEVER SPRING
12	GU019-01	KICK LEVER	41	GU091-01	ANTI REVERSE PAWL POST
13	KQ049-01	KICK LEVER SPRING	42	GU061-01	ANTI REVERSE PAWL SPRING
14	GU077-04	ROTOR NUT LOCK SCREW	43	GU063-01	ANTI-REVERSE PAWL "A"
15	KQ034-01	E-CLIP	44	GU074-01	ANTI-REVERSE PAWL "B"
16	KQ034-01	E-CLIP	45	GU077-05	ANTI-REVERSE PAWL SCREW
17	AQ108-04	LINE SLIDER SCREW	46	GU027-01	GEAR SHAFT BUSHING
18	GU007-62	ARM LEVER	47	GU012-01	DRIVE GEAR
19	LU051-01	ARM LEVER PIN	48	GU086-01	SILENT CAM
20	GU105-07	LINE ROLLER WASHER	49	GU105-08	DRIVE GEAR ADJ. WASHER
21	NH004-01	LINE ROLLER	50	GU157-01	BODY COVER BEARING
22	MT016-01	LINE ROLLER BUSHING	51	GU053-01	OSCILLATOR GEAR
23	GU347-63	BAIL ASSEMBLY	52	GU025-01	OSCILLATOR SLIDER
24	KQ031-01	ARM LEVER SPRING PIN	53	GU100-01	MAIN SHAFT SCREW
25	KQ049-03	ARM LEVER SPRING	54	XU023-09	BODY COVER
26	QL020-01	ARM LEVER SPRING HOLDER	55	GU057-02	BODY COVER SCREW
27	GU087-62	ARM LEVER SPRING COVER	56	JH318-21	HANDLE ASSEMBLY
28	GU077-02	ARM LEVER COVER SCREW	57	GU015-01	MAIN SHAFT
29	NL096-01	TRIGGER SPRING	58	GU009-14	ROTOR