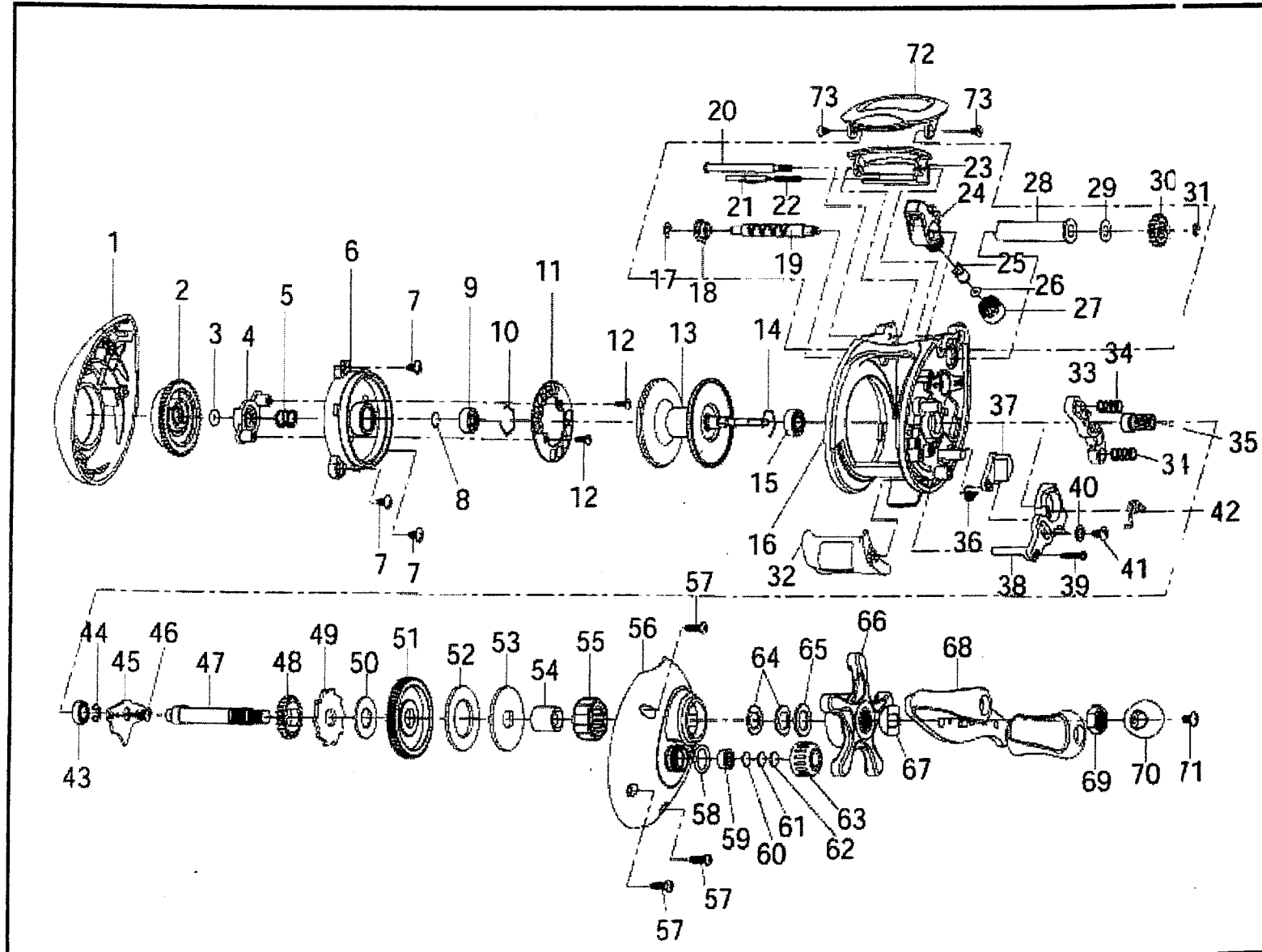


Assembly : **UL300C**

**Schematic View**



Assembly : **UL300C**

**Part List**

KEY No.	PART No.	PRICE	DESCRIPTION	COMMENTS	KEY No.	PART No.	PRICE	DESCRIPTION	COMMENTS
1	EX323-05	-	Palm side Cover Assembly	-	45	EX002-01	-	Crank Shaft Retainer	-
2	EX026-01	-	Magnet Dial	-	46	EX076-01	-	Crank Shaft Retainer Screw	-
3	NX105-01	-	Magnet Dial Friction Ring	-	47	EX008-01	-	Crank Shaft	-
4	EX028-01	-	Silide Cam	-	48	EX112-01	-	O/S Drive gear	-
5	EX071-01	-	Silide Cam Spring	-	49	EX083-01	-	Trip Ratchet	-
6	EX051-01	-	Spool Cover	-	50	QW111-01	-	Trip Ratchet Washer	-
7	QW125-02	-	Spool Cover Screw	-	51	FX012-01	-	Drive Gear	-
8	QW032-04	-	Spool Shaft Washer	-	52	JX059-01	-	Drag Disc	-
9	N/A	-	Spool Shaft Bushing(palm)	-	53	EX045-01	-	Drag D Washer	-
9	QV017-01	-	Spool Shaft Bearing(palm)	-	54	EX052-01	-	One Way Bearing Sleeve	-
10	HV080-01	-	Clip Ring	-	55	EX063-01	-	One Way Bearing	-
11	EX330-01	-	Magnet Assembly	-	56	EX024-05	-	Gear Side Cover	-
12	QW076-01	-	Magnet Plate Screw	-	57	JX050-02	-	Gear Side Cover Screw	-
13	EX321-01	-	Spool assembly	-	58	QW101-01	-	Spool Tension Knob O-Ring	-
14	EX080-01	-	Clip Ring	-	59	EX117-01	-	Spool Tension Knob Bushing	-
15	EX017-01	-	Spool Shaft Bearing(gear)	-	60	QW032-04	-	Spool Tension Washer	-
16	EX301-01	-	Frame assembly	-	61	EX038-01	-	Spool Tension Knob Washer	-
17	NX092-01	-	E-Clip	-	62	EX082-01	-	Spool Cushion Washer	-
18	EX067-01	-	Worm Shaft Bushing (palm)	-	63	EX033-01	-	Spool Tension Knob	-
19	EX072-01	-	Worm shaft	-	64	JX040-01	-	Spring D Washer	-
20	CX061-02	-	Stabiliser Bar	-	65	EX032-01	-	Star Drag Washer	-
21	EX119-01	-	Side Cover Locking Lever	-	66	EX055-01	-	Star Drag	-
22	ZW096-01	-	Side Cover Locking Spring	-	67	NX054-01	-	Handle Washer	-
23	EX099-01	-	Front Support	-	68	EX318-01	-	Handle Assembly	-
24	EX047-01	-	Line Guide Carrier	-	69	QW003-01	-	Handle Nut	-
25	ZW006-01	-	Line Guide Pawl	-	70	JX034-01	-	Handle Nut Cap	-
26	BV035-01	-	Line Guide Carrier Washer	-	71	QW123-01	-	Handle Nut Cap Screw	-
27	EX085-01	-	Line Guide Carrier Screw	-	72	EX027-01	-	Hood	-
28	NX090-01	-	Worm Shaft Guide	-	73	EX107-01	-	Hood Screw	-
29	EX035-01	-	Worm Shaft Washer	-					
30	EX085-01	-	O/S Pinion gear	-					
31	NX090-01	-	E-Clip	-					
32	EX009-01	-	Thumb Bar	-					
33	EX025-01	-	Pinion Yoke	-					
34	QW040-01	-	Pinion Yoke Spring	-					
35	FX311-01	-	Pinion Gear Assembly	-					
36	EX097-01	-	Kick Lever Spring	-					
37	EX077-01	-	Kick Lever	-					
38	EX039-01	-	Release Slider	-					
39	ZW053-01	-	Thumb Bar Screw	-					
40	EX121-01	-	Release Slider Guide Washer	-					
41	QW125-02	-	Release Slider Screw	-					
42	EX104-01	-	Release Slider Spring	-					
43	ZW017-02	-	Crank Shaft Bushing	-					
44	QW120-01	-	E-Clip	-					